



# KRENDL™

The Innovator in Insulation Equipment



## OWNERS MANUAL

### MODEL #425



**55 YEARS OF AMERICAN INGENUITY**

---

**KRENDL MACHINE COMPANY • 1201 SPENCERVILLE RD  
DELPHOS, OHIO 45833 • TELEPHONE 800-459-2069 • FAX 419-695-9301  
E - MAIL: [krendl@krendlmachine.com](mailto:krendl@krendlmachine.com) • WEB SITE: [www.krendlmachine.com](http://www.krendlmachine.com)**

---

**CONGRATULATIONS ON YOUR PURCHASE OF KRENDL EQUIPMENT**

**MODEL #425  
OWNER'S MANUAL**

FOR ASSURED SAFETY AND CONFIDENCE, PLEASE READ THIS MANUAL CAREFULLY BEFORE INSTALLING AND OPERATING YOUR MACHINE.

**E-MAIL ADDRESS IS: [krendl@krendlmachine.com](mailto:krendl@krendlmachine.com)  
WEB SITE IS: [www.krendlmachine.com](http://www.krendlmachine.com)**

# Table of Contents

	PAGE
INTRODUCTION.....	1
GENERAL SAFETY INFORMATION.....	2-3
DECALS.....	4-5
WARRANTY.....	6
RETURNED GOODS PROCEDURE and SPECIFICATIONS	7
BASIC COMPONENTS.....	8
OPERATING INSTRUCTIONS.....	9-11
TROUBLESHOOTING.....	12
GENERAL MAINTENANCE.....	13-15
ELECTRICAL.....	16
LADDER DIAGRAM.....	17
PARTS LIST.....	18-21
GLOSSARY.....	22
SERVICE RECORD.....	23

## INTRODUCTION

Thank you for purchasing a **KRENDL INSULATION MOVING MACHINE**. With over fifty-five years experience in manufacturing insulation moving equipment, we have designed and built your machine with the highest quality to provide years of reliable service.

This manual has been prepared to help you obtain the maximum efficiency and service from your Krendl equipment. The machine is designed to condition and apply insulation with the utmost in dependable performance. Our primary objective is to build equipment which will provide complete satisfaction so that you may confidently recommend Krendl to others.

We do not manufacture or sell insulation. Our interest lies only in the proper performance of the equipment we manufacture. We make no recommendations or guarantees concerning various insulations.

### CAUTION:



This manual contains important information regarding the **safe** assembly and operation of your machine. We urge you to read it carefully and follow the instructions provided. If your questions are not answered in this manual, may we hear from you? We want you to be able to operate this unit safely and confidently.

**UNPACKING:** Store and unpack carton with correct side up. Unpack your machine **IMMEDIATELY** and check for damage in shipping. **Place any damage claim with delivering carrier, saving all packing materials for inspection.** Our warranty covers manufacturer's defects only. **DO NOT** return to shipper.

### FILL IN AND RETAIN:

Krendl Machine Company  
1201 Spencerville Rd  
Delphos, Ohio 45833 U.S.A.


Telephone: 800-459-2069  
Fax: 419-695-9301  
E-mail: [krendl@krendlmachine.com](mailto:krendl@krendlmachine.com)  
Web Site: [www.krendlmachine.com](http://www.krendlmachine.com)


For your protection in the event of theft or loss, please fill in the information requested for your own records. This information will be needed for in-warranty repairs. You may also want to attach a copy of your invoice.

Machine model number _____	Blower motor manufacturer _____
Serial number _____	Gear motor manufacturer _____
Blower(s) serial number(s) _____	Gear motor serial number _____
Supplier _____	Date of purchase _____

The model and machine serial numbers are located on the hopper of the machine unit. The blower and gearmotor serial numbers are located on the motor housing of each unit.

## GENERAL SAFETY INFORMATION

 **Important:** Read **all** instructions **before** operating this unit. This equipment can be potentially dangerous and must be used in strict accordance with instructions.

 **Disclaimer Notice:** The manufacturer will not be legally responsible for any injury or damage resulting from the improper use of this equipment or the failure to follow instructions.

### Unpacking

Handle cartons with care to avoid damage from dropping or bumping. Store and unpack cartons with the correct side up. Completely remove machine from the packaging and from any shipping pallet or skid to which it might be attached. In addition, completely remove all shipping materials from **inside** the machine including wheel package, manual, ect....



### General Safety

1. Read this manual carefully and become familiar with your machine unit. Know its applications, limitations, and any hazards involved.
2. This machine was designed and manufactured for specific applications. Do not attempt to modify the unit or use it for any application it was not designed for. If you have any questions about your intended use or the machines suitability, ask your dealer/distributor or consult the factory. The manufacturers' could not possibly anticipate every circumstance that might involve a hazard. For that reason, warnings in the manual and warning tags or decals affixed to the unit, are **not** all-inclusive. If you intend to handle, operate, or service the unit by a procedure or method not specifically recommended by the manufacturer, first make sure that such a procedure or method will not render this equipment unsafe or pose a threat to you and others.



### Electrical Safety

- The **National Electric Code** (NEC) in the United States and many international electrical codes require frame and external electrically conductive parts of this machine to be properly connected to an approved earth ground. Local electrical codes may also require proper grounding of machine. Consult with local electricians for grounding requirements in your area.
- Never handle any kind of electrical cord or device while standing in water, while barefoot or while hands or feet are wet. Dangerous electrical shock will result.
- Use a ground fault circuit interrupter (GFCI) in any damp or highly conductive area. (metal decking or steel work)
- Reference NFPA 79, 70E, or OSHA safe work practices when performing energized work procedures.



## Safety/Caution

- **Be Safe** - Keep away from moving parts.
- **Be Safe** - Make sure all guards and hopper bar are in proper place **before** operating machine. Guards and safety devices/switches should not be removed, modified or by-passed. Hands should **never** pass below hopper bar.
- **Be Safe** - Do not remove motors or lift hopper when unit is connected to power supply.
- **Be Safe** - Make sure machine is properly grounded. Protect all electrical supply cords from sharp objects, moisture, and other potentially hazardous materials. Keep power cords in good repair. Electrical service must be performed by a qualified electrician.
- **Be Safe** - Disconnect power supply **before** inspecting or adjusting unit.
- **Be Safe** - Consult a qualified technician to answer questions **before** attempting to operate, or injury may result.
- **Be Safe** - Do not operate machine alone.
- **Be Safe** - Do not leave machine unattended and energized.
- **Be Safe** - Turn machine off and disconnect electricity before clearing and feeding jam or attempting to remove any object dropped in the hopper.
- **Be Safe** - Keep hands, loose clothing, jewelry and hair away from agitators, gears, chains and other moving parts.
- **Be Safe** - Use proper lifting when moving insulation and loading machine.
- **Be Safe** - Keep work area clear of debris.
- **Be Safe** - Wear proper safety equipment, including protective gear, such as respirators, eye and ear protection.
- **Be Safe** - Violation of the Owner's Manual or safety precautions may void warranty.



## Make Sure!

- Hopper is empty of foreign objects **before** starting.
- Adequate electrical power is supplied or damage to unit will result.
- Blower filter is kept clean and in place when blower is on.
- Machine is turned off **immediately** if hose is plugged, or blower will overheat.
- Machine must be on **before** adding insulation.
- Blower(s) must be on, when agitators are running, or machine will bind.
- Agitator motor is not run with hopper empty for more than a few minutes, or damage to seals will result.
- Sprockets, chains, belts and pulleys are correctly **aligned** and **tensioned**.
- Pieces of bag are **not** left in the machine as this can bind and stall your machine.
- This machine should only be used with good quality insulations that are dry, undamaged and that meet a certain industry specification or quality standards.

**DECALS**



Keeping the filter clean will result in longer blower life and better performances.



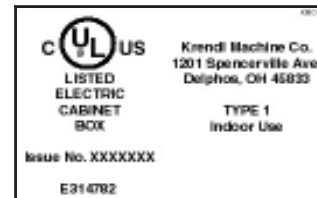
Rotating parts can be dangerous! You can snag clothes, hair, hands, etc. This can cause serious injury or death.



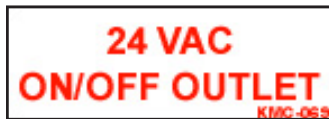
Manufacturer information is provided here along with machine model, and serial number.



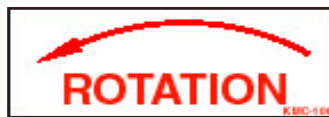
Emergency stop button for machine.



Indicates that the electrical box on the machine is in compliance with UL codes.



Specifies the voltage this outlet is rated for.



Rotating parts will be moving in this direction.



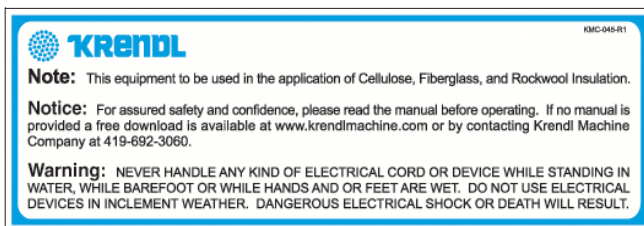
Identifies position of material feed gate.



Part number for identification and tracking.



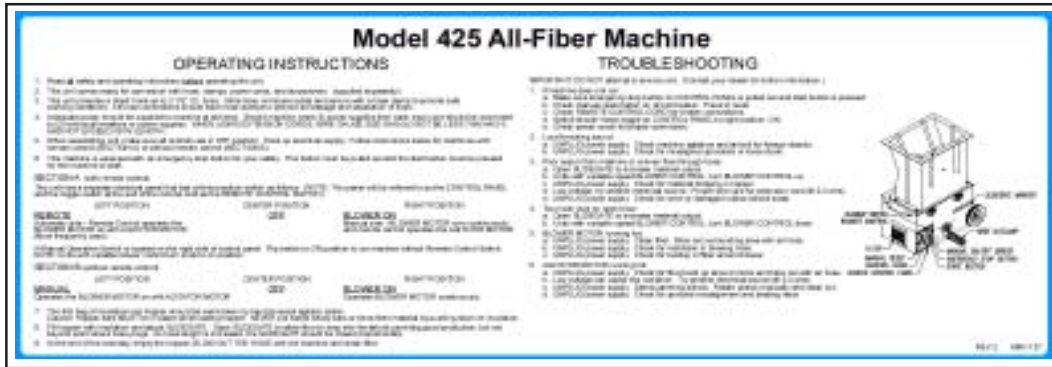
Reset button for motor.



Identifies what type of insulation should be used with this machine and that the manual should be read before operating. Warns to be careful around electrical components! This can cause serious injury or death.



General safety information intended to reduce the risk of serious injury or death



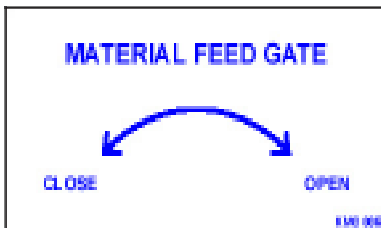
Operating and troubleshooting instructions provided here.



Made in the U.S.A.



Operating machine at specified voltage will result in longer machine life and better performance.



Opens and closes the material feed gate which in turn controls the production.



Indicates that this outlet is intended for only the wireless remote. Each time machine cycle starts, an audible alarm warns the operator that the machine is about to come on.



Indicates the input power of the machine.



Indicates which employee inspected equipment and on what date.



Indicates if blower is off, on, or on with agitator.



Indicates that this outlet is intended for only the remote control outlet. Each time machine cycle starts, an audible alarm warns the operator that the machine is about to come on.



Identifies if machine is in remote mode, manual mode, or off position. In manual mode this switch operates machine. In remote mode the hand pendant operates machine. Each time machine cycle starts, an audible alarm warns the operator that the machine is about to come on.



**WARRANTY:**

Krendl Machine Company (Company) warrants to each original purchaser (Buyer) of its machines that such products will be free of manufacturing defects for a period of 2 years from the date of shipment to the Buyer. (This does not include accessories, pumps, blowers, wall scrubbers, etc.)

No warranty is made with respect to:

1. Components or accessories manufactured and warranted by others. Warranties for purchased component parts as supplied from vendor such as engine, electric motor, blower, gearbox, transmission, etc., if furnished by the manufacturer of the component, are on file at the Company's main office and copies will be furnished at request of Buyer. Component(s), shipping costs prepaid, shall be sent to Company who in turn shall forward to vendor for evaluation and warranty determination.
2. Any defect caused by repair, alteration and/or adjustment performed by Buyer or customer/ vendor of Buyer without the express written authorization of the Company.
3. The labor costs of replacing parts by parties other than the Company.
4. Any machine that has not been operated and/or maintained in accordance with normal industry practice and the written recommendations of the Company. (e.g. machine operated with an improperly sized, worn or damaged hose, improper or inattention to preventative maintenance, etc.)
5. The product has been subjected to misuse, negligence or accident or results of any application or use of the blowing equipment not in accordance with the Company recommendations.

This limited warranty does not cover the free replacement of component parts that become inoperative due to wear and usage and need to be replaced on a regular basis, including but not limited to: airlock seal(s), agitator(s), shredder(s), auger(s), fuse(s), switch(es), clutch(es), hose(s), shaft seal(s), chain(s), belt(s), sprocket(s), pulley(s), bearing(s), cable(s), battery(ies), filter(s), fan(s), etc.

The Company's obligation under this warranty is limited to repairing or replacing (at Company option) any part that is determined by the Company to be suffering from a manufacturing defect. The Company (at Company option) will provide any required parts and labor to the Buyer. If the equipment or parts must be returned to the Company for repair, all transportation costs shall be the Buyer's responsibility.

**THIS LIMITED WARRANTY IS EXPRESSLY IN LIEU OF ANY OTHER GUARANTEES AND / OR WARRANTIES, ORAL OR WRITTEN, EXPRESSED OR IMPLIED, INCLUDING WITHOUT LIMITATION, THE IMPLIED WARRANTY OF MERCHANTABILITY. NO WARRANTY, EXPRESS OR IMPLIED, OTHER THAN THE AFORESAID WARRANTY IS MADE OR AUTHORIZED BY COMPANY. COMPANY SHALL NOT BE LIABLE FOR ANY DIRECT, INDIRECT, INCIDENTAL OR CONSEQUENTIAL DAMAGES TO PROPERTY OR INJURY TO ANY PERSON OR COSTS ASSOCIATED WITH LOSS OF PRODUCTION RESULTING IN LOSS OF REVENUE, PROFITS OR LOSS OF EQUIPMENT THROUGH THE USE OF THIS EQUIPMENT.**

**Note: Special job circumstances incurring costs for specialized repair and next day delivery of parts will not be reimbursed by the manufacturer unless authorized by factory.**

**RETURNED GOODS PROCEDURE:**

IF MACHINE WAS NOT PURCHASED DIRECTLY FROM KRENDL MACHINE COMPANY, CONTACT YOUR SUPPLIER / DISTRIBUTOR.

When returning products to Krendl for repair, first obtain a return goods authorization, at which time you will be given shipping instructions. The product must be shipped **PREPAID**:

**Krendl Machine Company**  
1201 Spencerville Rd  
Delphos, Ohio 45833 U.S.A.

Telephone: 800-459-2069  
Fax: 419-695-9301  
E-mail: [krendl@krendlmachine.com](mailto:krendl@krendlmachine.com)  
Web Site: [www.krendlmachine.com](http://www.krendlmachine.com)

Once the unit is received, it will be inspected. In-warranty units will be repaired and returned immediately. An estimate of repair charges will be provided for out-of-warranty units.

**SPECIFICATIONS**

**MODEL#:** 425  
**HEIGHT:** 57 1/2" (146 cm)  
**WIDTH (DEPTH):** 36" (91 cm)  
**LENGTH:** 21" (53 cm)  
**WEIGHT:** 225 pounds (102 kg)  
**ELECTRICAL:** 230VAC, 16 amp, S.I.  
**BLOWER VOLUME:** 140 CFM  
**BLOWER PRESSURE:** 4.5 PSI maximum  
**HOSE OUTPUT:** 2.5" diameter

**MAXIMUM FEED RATES:**

**CELLULOSE:** 1200 lbs/hr (545 kg/hr)  
**FIBERGLASS:** 300 lbs/hr (136 kg/hr)  
**MINERAL FIBER:** 800 lbs/hr (363 kg/hr)

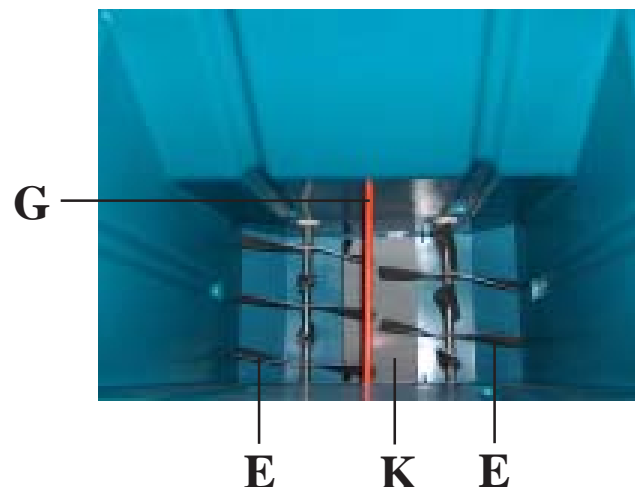
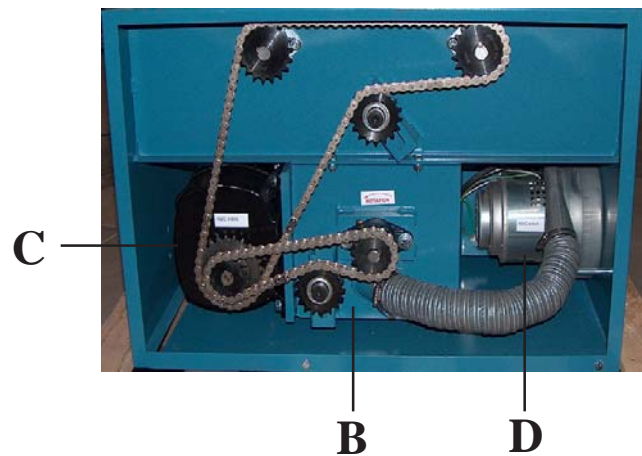
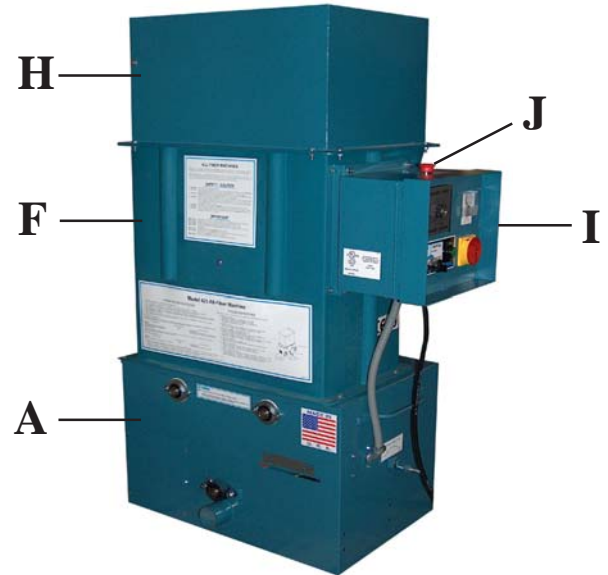
**WARNING:** Recommended hose size, type and length must be used to achieve maximum results. Krendl cannot guarantee performance of the machine if hoses are undersized, worn, damaged, or hoses other than those we recommend are used.

**BEFORE YOU RUN THIS MACHINE...PLEASE READ THE REST OF THIS MANUAL!!**

**BASIC COMPONENTS: #425**

This is a view of the basic components of your #425 machine. It shows the location of each item and gives the function of each. Use this as a guide throughout the manual.

- A) **BASE UNIT** — Lower frame unit supporting blower, gearmotor, airlock and hopper.
- B) **AIRLOCK** — Traps air and insulation while providing a metered flow.
- C) **GEAR MOTOR** — Provides driving power of agitation system. Increases output power while decreasing speed of the agitators and airlock.
- D) **BLOWER** — Creates air pressure to blow insulation out of airlock.
- E) **AGITATORS (2)** — Conditions insulation in the hopper.
- F) **HOPPER** — Upper unit of machine holding insulation.
- G) **HOPPER BAR** — Hinders operators from reaching agitators.
- H) **HOPPER EXTENSION** — Increases overall hopper capacity.
- I) **MAIN CONTROL PANEL** — Connects with main power, allowing operation of unit at machine.
- J) **KILL SWITCH** — Safety device for immediate stopping of machine. (Located on electrical box)
- K) **SLIDEGATE** — Meters the amount of insulation dropping into airlock by controlling size of airlock opening



## OPERATING INSTRUCTIONS

1. This unit comes ready for connection with insulation hose, power cords, and accessories.
2. This unit provides a direct hook-up to 2 1/2" I.D. insulation hose. Slide hose on blower outlet and secure with a hose clamp. All hose connections should have hose clamps to prevent air leakage and hose plugging.
3. When assembling unit, make sure slidegate is closed and all controls are in **OFF** position.
4. Connect power to Input Cords located below Main Control Panel. (See Illustration A.)  
**Caution:** Operating unit with less than required voltage, more than required voltage, or inadequate generator size will result in damage to electrical components. This machine is marked on the Control Panel with the correct input voltage required. **Note:** Agitator motor and blower should only be operated with steady or constant flow of electricity between 220-230 volts. **Do not** operate machine with less than or more than required voltage. Damage to motors and other electrical parts will result, voiding warranty. **Note:** For double input units, both Input cords must be supplied with power from two separate sources for the unit to work properly.  
**Note:** When using extension cords, wire gauge size should not be less than input cord on unit and not exceed 50' in length. **(See Voltage Drop Chart Below.)**

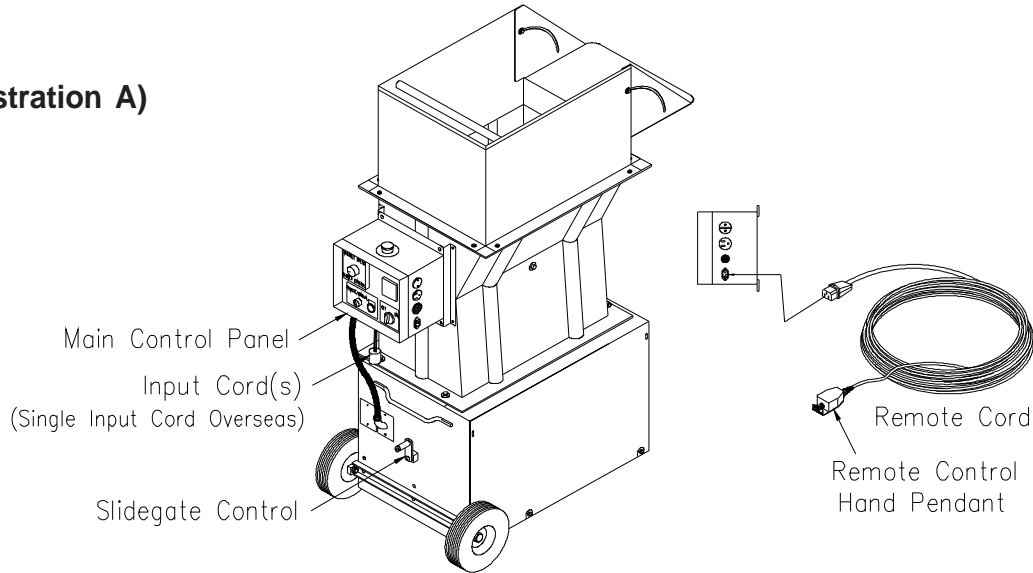
VOLTAGE DROP CHART									
Typical voltage drop values based on conductor size and one-way length* (60 C termination and insulation)									
25 FEET									
		12 AWG	10 AWG	8 AWG	6 AWG	4 AWG	3 AWG	2 AWG	1 AWG
AMPERES	20	1.98	1.24	0.78	0.49	0.31	0.25	0.19	0.15
	30		1.86	1.17	0.74	0.46	0.37	0.29	0.23
	40			1.56	0.98	0.62	0.49	0.39	0.31
	50				1.23	0.77	0.61	0.49	0.39
	60					0.93	0.74	0.58	0.46
50 FEET									
		12 AWG	10 AWG	8 AWG	6 AWG	4 AWG	3 AWG	2 AWG	1 AWG
AMPERES	20	3.95	2.49	1.56	0.98	0.62	0.49	0.39	0.31
	30		3.73	2.34	1.47	0.93	0.74	0.58	0.46
	40			3.13	1.97	1.24	0.98	0.78	0.62
	50				2.46	1.55	1.23	0.97	0.77
	60					1.85	1.47	1.17	0.92
75 FEET									
		12 AWG	10 AWG	8 AWG	6 AWG	4 AWG	3 AWG	2 AWG	1 AWG
AMPERES	20	5.93	3.73	2.34	1.47	0.93	0.74	0.58	0.46
	30		5.59	3.52	2.21	1.39	1.1	0.87	0.69
	40			4.69	2.95	1.85	1.47	1.17	0.92
	50				3.69	2.32	1.84	1.46	1.16
	60					2.78	2.21	1.75	1.39
100 FEET									
		12 AWG	10 AWG	8 AWG	6 AWG	4 AWG	3 AWG	2 AWG	1 AWG
AMPERES	20	7.90	4.97	3.13	1.97	1.24	0.98	0.78	0.62
	30		7.46	4.69	2.95	1.85	1.47	1.17	0.92
	40			6.25	3.93	2.47	1.96	1.56	1.23
	50				4.92	3.09	2.45	1.94	1.54
	60					3.71	2.94	2.33	1.85
125 FEET									
		12 AWG	10 AWG	8 AWG	6 AWG	4 AWG	3 AWG	2 AWG	1 AWG
AMPERES	20	9.88	6.21	3.91	2.46	1.55	1.23	0.97	0.77
	30		9.32	5.86	3.69	2.32	1.84	1.46	1.16
	40			7.81	4.92	3.09	2.45	1.94	1.54
	50				6.15	3.86	3.06	2.43	1.93
	60					4.64	3.68	2.92	2.31
150 FEET									
		12 AWG	10 AWG	8 AWG	6 AWG	4 AWG	3 AWG	2 AWG	1 AWG
AMPERES	20	11.85	7.46	4.69	2.95	1.85	1.47	1.17	0.92
	30		11.18	7.03	4.42	2.78	2.21	1.75	1.39
	40			9.38	5.90	3.71	2.94	2.33	1.85
	50				7.37	4.64	3.68	2.92	2.31
	60					5.56	4.41	3.50	2.77

Ex: A two-wire 20-ampere circuit using 12 AWG with a one-way distance of 25 feet will drop 1.98 volts; 230 volts - 1.98 volts = 228.02 volts as the load voltage.

**OPERATING INSTRUCTIONS (cont.)**

- The first bag of insulation in the hopper should be well broken by hand to assist agitator action.  
**Caution: NEVER** force-feed material by pushing down on insulation.

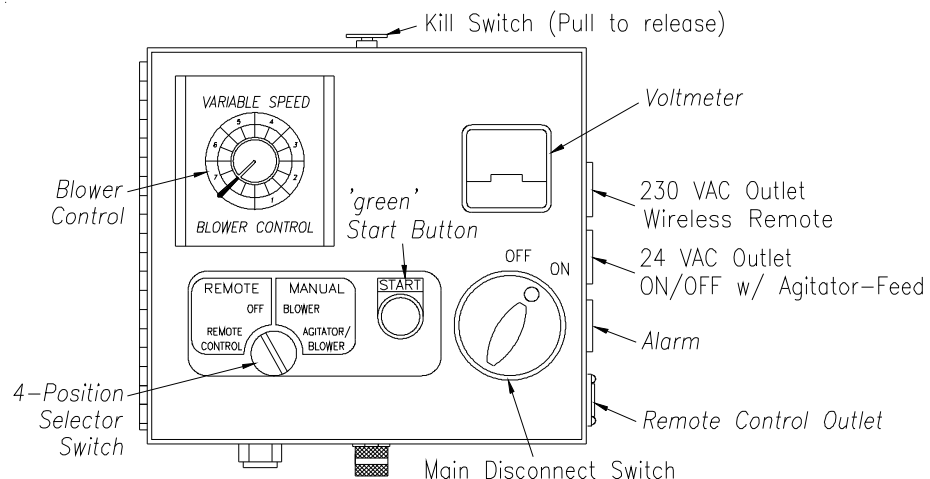
**(Illustration A)**



- Make sure Kill Switch is out by pulling. (See Illustration B.)
- Turn Main Disconnect Switch to ON. (See Illustration B.)
- Set 4-Position Selector switch to OFF. (See Illustration B.)
- Press green start button. Machine will not run unless button is pressed after Kill Switch is out and Main disconnect switch is on. (See Illustration B.)
- Select operating mode on 4-Position Selector Switch from one of the following options:

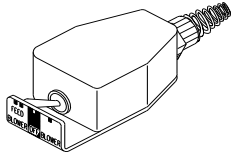
Remote:	Remote control hand pendant will control machine.
Off:	Machine will not run. (overrides remote hand pendant)
Blower:	Only the blower will run continuously. (manual control at machine)
Agitator-Feed/Blower:	Both the blower and the agitator-feed will run continuously. (manual control at machine)

**(Illustration B)**



**OPERATING INSTRUCTIONS (cont.)**

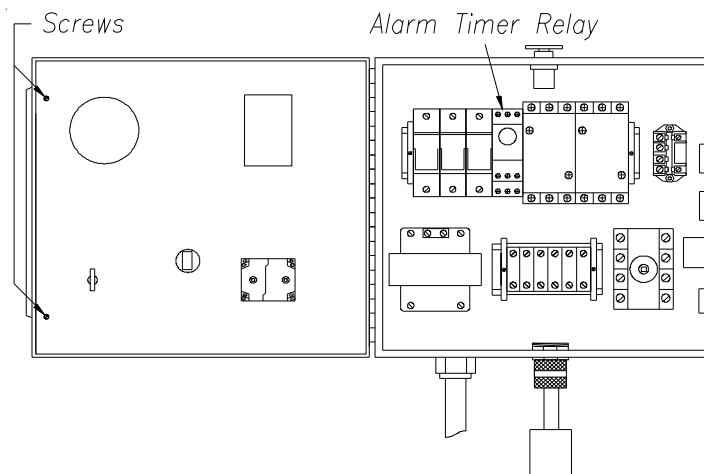
11. When operating in **Remote mode**, the 4-Position Selector Switch must be set to **Remote** position. (See Illustration B.)
12. Remote control hand pendant positions will be selected from the following:



- Blower-Feed** - operates both motor and agitator motor simultaneously
- Off** - (middle position) all functions stop
- Blower** - operates the blower motor only

13. Use the Auxiliary Outlet on the Main Control Panel for supplying **continuous** power (while Main Disconnect Switch is ON) to accessories. (Note voltage output on receptacle) (See Illustration A.)
14. Adjust blower and slidegate to desired settings. With **SLIDEGATE** closed, turn variable speed **BLOWER CONTROL** and **AGITATOR MOTOR ON**. Fill hopper with insulation and adjust **BLOWER CONTROL** and **SLIDEGATE**. In making adjustments, move one control in proportion to other. (i.e. If variable speed **BLOWER CONTROL** is half-speed, **SLIDEGATE** should be half open.) Open **SLIDEGATE**, but not beyond point where hose plugs. As hose length is increased, the **BLOWER CONTROL** speed is increased while closing the **SLIDEGATE** proportionally. This allows a greater amount of air pressure for lesser portion of fiber to travel the increased distance. (At the end of the workday, empty the hopper and **BLOW OUT THE HOSE** with the machine.) Turn to **Blower mode** only.
15. **To adjust alarm time**, follow the procedure below: (See Illustration C.)
  - a. Unplug machine from power source.
  - b. Turn **OFF** Main Disconnect Switch and open Main Control Panel lid.
  - c. Turn Timer Relay knob to desired setting. (clockwise to **increase** warning time)
  - d. Close lid, plug in machine, turn on Main Disconnect Switch and press green Start Button.
  - e. Retest Machine.

**Main Control Panel (Overseas)**



**Illustration C**

## TROUBLESHOOTING

**IMPORTANT: DO NOT** attempt to service unit. (Contact your dealer for further information.)

1. Loud knocking sound:
  - a. Unplug power supply.
  - b. Check machine agitators and airlock for foreign objects.
2. Poor output from machine or uneven flow through hose:
  - a. Open **SLIDEGATE**.
  - b. Check for material bridging in hopper.
  - c. Voltage may be low, try another electrical source. Use proper wire size for extension cord.
  - d. Worn or damaged rubber airlock seals.
3. Too much dust on open blow:
  - a. Open **SLIDEGATE**.
  - b. Turn **BLOWER CONTROL** down. (See Illustration B.)
4. **BLOWER MOTOR** running hot:
  - a. Clean filter. Blow out surrounding area with air hose. (See Illustration A.)
  - b. Check for restriction in blowing hose.
5. **AGITATOR MOTOR** running hot:
  - a. Blow out the air hose as needed.
  - b. Low voltage can cause this condition. Try another electrical source.
  - c. Debris jamming airlock. **UNPLUG** power supply. Rotate airlock manually and clean out.
  - d. Check bearing for stiffness or seize up. Grease if needed.

## GENERAL MAINTENANCE

Periodic preventive maintenance will add years of life to your equipment. Reviewing the information in this manual will go a long way in reducing downtime. **Remove hopper** for easy maintenance of lower base unit.

**! KEEP CLEAN:** During operation, keep material from accumulating on Blower Filter. Always keep Filter in place while operating machine. After each use, remove insulation from hopper and blow out hose.

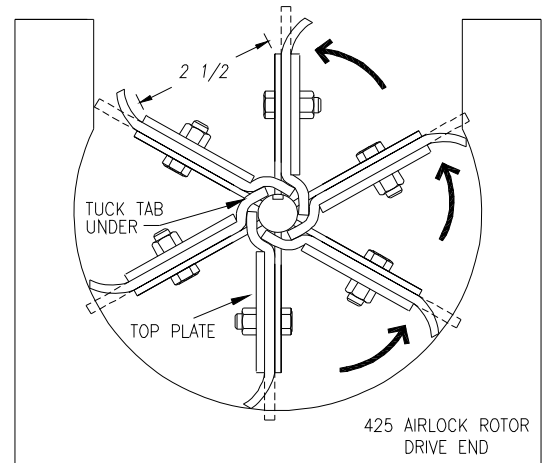
### AIRLOCK:

**SEAL REPLACEMENT:** The purpose of the airlock seal is to trap air and insulation until it rotates 180° to the 6:00 o'clock position. At this point, insulation is pushed by air from the blower, out of the chamber. Worn or damaged seals allow air and insulation to escape back into hopper, thus reducing production and coverage. When it is necessary to replace seals, follow these directions:

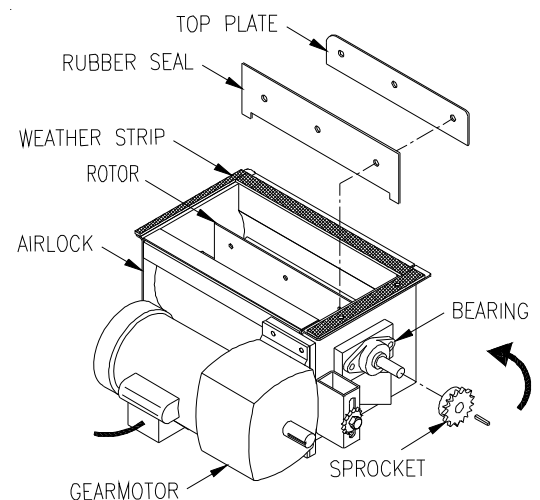
Airlock rotor plates that are damaged (bent) will need replaced. (Refer to Rotor Replacement below.) Take out rubber seal by removing the three plate fastening bolts and top plate. Install new seal. Seal should be inserted tight against the rotor plate, pressing the lower tabs of seal down under the adjacent seal with a flat blade screwdriver. (See Illustration D) Before tightening bolts make sure all bolt holes are aligned while each side of seal is equally pressed against the end plates. Seal should be bent backwards for **counterclockwise** rotation.

### AIRLOCK REPLACEMENT:

1. Remove the chain guard, chain, and hose from airlock.
2. Lay machine down and remove bottom guard and two bolts that secure airlock to machine. Take note of electrical connections and unhook gearmotor drive wires.
3. Remove airlock from machine.
4. Remove top plate and seal from rotor. Check seal and top plate for wear and/or damage. (See Illustration E)
5. Remove gear motor and bearings from old airlock.
6. Install gearmotor and bearings on new airlock. Tighten set screws on locking collar of bearings. (See Illustration E)
7. Install seal and top plate. As seal and top plate are installed, press bottom tab of seal under adjacent seal with flat blade screwdriver. (See Illustration D)
8. Install weather stripping on top outer edge of airlock. (See Illustration E)
9. Place airlock back into machine and reattach with bolts. Reinstall chain and sprocket. **NOTE:** When inserting airlock back into machine, make sure back lip of airlock slides into airlock track then fasten bolts. Also, make sure slidegate is in slidegate track.



**Illustration D**



**Illustration E**



## General Maintenance (cont.)

Make sure seal and top plate are assembled on **correct** side of rotor plate before assembling in airlock. Seal should press backward towards top plate when installed correctly into airlock chamber. The airlock runs **counterclockwise** viewing it from the sprocket drive shaft. (See Illustration A)



**Caution:** If installed improperly, damage to seals will result and put undue stress on agitator motor. This causes overheating and poor production. Seal should be bent backward to allow for a **counterclockwise** rotation of rotor.

### **CHAIN:** (#40 Nickel Plated)

**ADJUSTMENT:** A smooth operating chain drive should have a slight sag on the idler side of the chain. New chains should be installed under slight tension as they will elongate a small amount due to seating of pins and bushings during the first few days of operation. Excessive chain tension or loose chain will cause shortened life of bearings, chain, and sprocket. Chain should be kept in good condition by proper lubrication (dry film lubricant Dow 321) and occasional cleaning. Soaking chain in container of 10 weight oil will provide for internal lubrication of pins and bushings. However, excess oil must be drained and wiped away as excessive lubrication will cause insulation accumulation on chain. Worn out chain should be replaced. When chain is replaced, worn sprockets should also be replaced, preventing further damage to new chain.

### **SPROCKETS:**

**CHECK SPROCKETS FOR WEAR.** Misalignment and/or loose sprockets and improper chain tension causes the premature wear of chain and sprockets. All sprockets, except the idler sprocket, have been secured with a medium grade Loctite (general purpose thread locker), to prevent gradual movement. The set screws and key are also inserted with a medium grade Loctite. If sprocket is difficult to remove, it may be heated with a propane torch to loosen.



**Caution:** Do not overheat sprocket or damage to bearing will result. A pulley or bearing puller can then be used to remove the sprocket and key. Replace new sprocket on shaft with key and medium grade Loctite applied to shaft. Align sprocket with corresponding sprocket, using a straightedge placed along face of teeth and tighten set screw. Gearmotor sprocket does **not** require Loctite.

### **BEARINGS:**

**AGITATOR BEARINGS** in base unit are prelubricated, double-sealed, self aligning ball bearings. **No** lubrication is necessary. If bearings produce noise or heat (*too-hot-to-touch*), replace the bearings.

**AGITATOR BEARING REPLACEMENT:** Spray area with rust penetrant (WD-40). Remove sprocket (See SPROCKET section above). Remove the two bolts from bearing flange and outer flange from bearing insert. Loosen set screws on bearing hub at each end of agitator shaft. Since all set screws are installed with a medium grade Loctite, a propane hand torch may be used to assist in removing them. Do not overheat unit, causing shaft to expand. Using a rubber mallet, drive agitator shaft an inch in one direction, creating a space between hopper and bearing unit. A bearing puller can then be used to remove the bearing. Eliminate any metal burrs from shaft with file and install new bearings with felt seals. Use a medium grade Loctite on set screws before securing bearing to shaft.

**AIRLOCK BEARINGS** are prelubricated, double sealed, self aligning ball bearings. Lubrication **is** required at three month intervals of normal running time, or sooner if bearings produce a noise or become *too-hot-to-touch*. Relubrication at the grease fittings is done with a lithium base grease conforming to a NLGI GRADE TWO consistency. The grease should be pumped in slowly until a slight bead forms around the seals. This bead, in addition to acting as an indicator of adequate lubrication, provides additional protection against the entry of foreign matter. **Important:** If a slight bead does **not** form, indicating a failure of lubrication, or if bearing shows signs of wear, replace bearing.

## General Maintenance (cont.)

**AIRLOCK BEARING REPLACEMENT:** Remove two bolts from bearing and follow steps above for agitator bearing replacement.

### GEARMOTOR DRIVE:

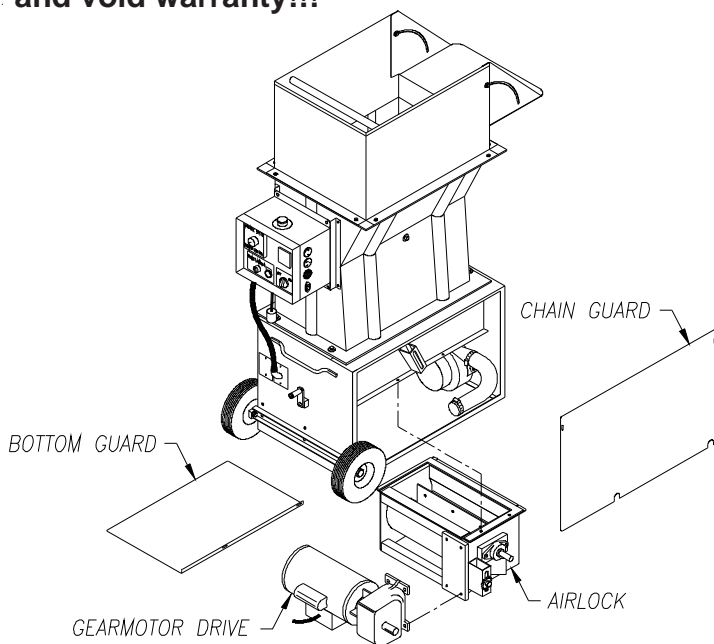
If drive motor runs hot, or unit does not run properly, refer to troubleshooting sections of manual. The drive motor should start quickly and run smoothly. If not, shut motor off **immediately** and check for low voltage, incorrect power supply, or misconnected wiring which could cause motor failure. **These conditions void the motor warranty.** Overload conditions such as bearing failure, sprocket and chain misalignment, or gear failure in the reducer can be detected by checking the electrical current (amperage) compared with nameplate current (amperage) located on the body of the motor.

**GEARMOTOR REPLACEMENT:** (See Illustration F) Disconnect power from machine. Remove chain guard and drive chain. Flip base unit upside down and remove bottom guard. Take note of electrical connections and unhook gearmotor drive wires. Loosen hose clamp on rear airlock input tube. Slide hose off airlock. Remove airlock and gearmotor drive assembly out of base. Loosen set screw and take sprocket off gearmotor. Unbolt gearmotor drive from airlock. Install new gearmotor drive on airlock. Reverse procedure for assembly.

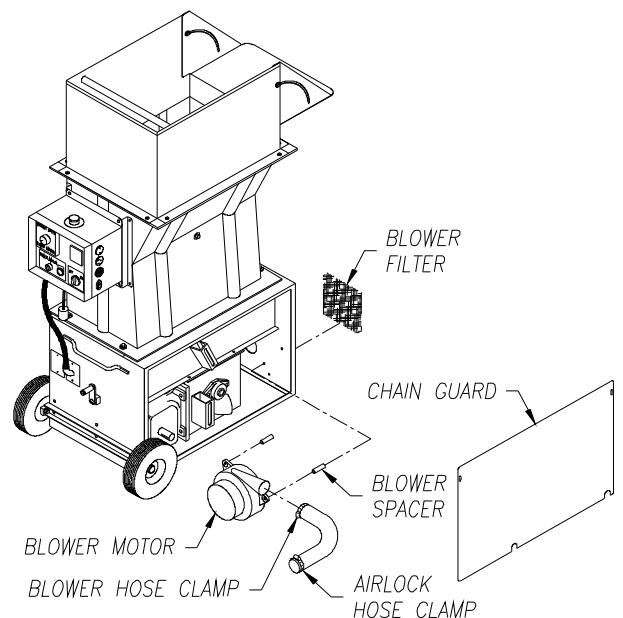
### BLOWER MOTOR:

Periodically turn machine on its side and vacuum any material that has accumulated around blower motor. Blow out any remaining debris around motor and intake orifice of fan with compressed air. This will extend the life of the blower significantly. Blower filter life can be extended by occasional removing and blowing through with compressed air. Filter should be replaced periodically depending on use. If blower produces noise or heat, refer to troubleshooting section of manual.

**BLOWER REPLACEMENT:** (See Illustration G) Disconnect power from machine. Remove chain guard. Loosen hose clamp on blower and slide hose off blower. Take note of electrical connections on blower and unhook blower wires. Remove three bolts and spacers from machine and remove blower. Reverse procedure for assembly. **NOTE: Do not over tighten bolts on re-assembly, it may damage blower and void warranty!!!**



**Illustration F**



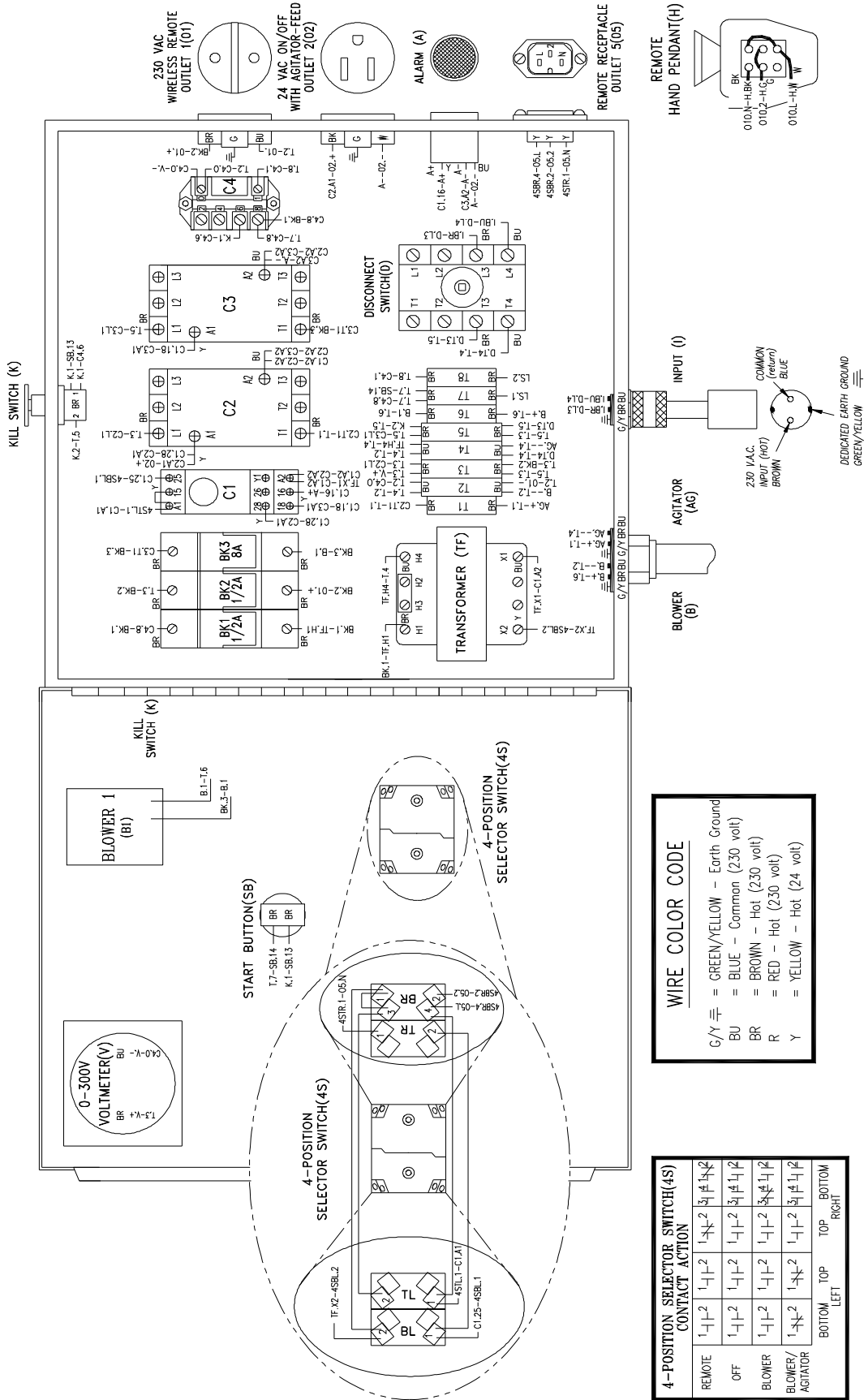
**Illustration G**

**ELECTRICAL**

**ELECTRICAL DIAGRAM:**

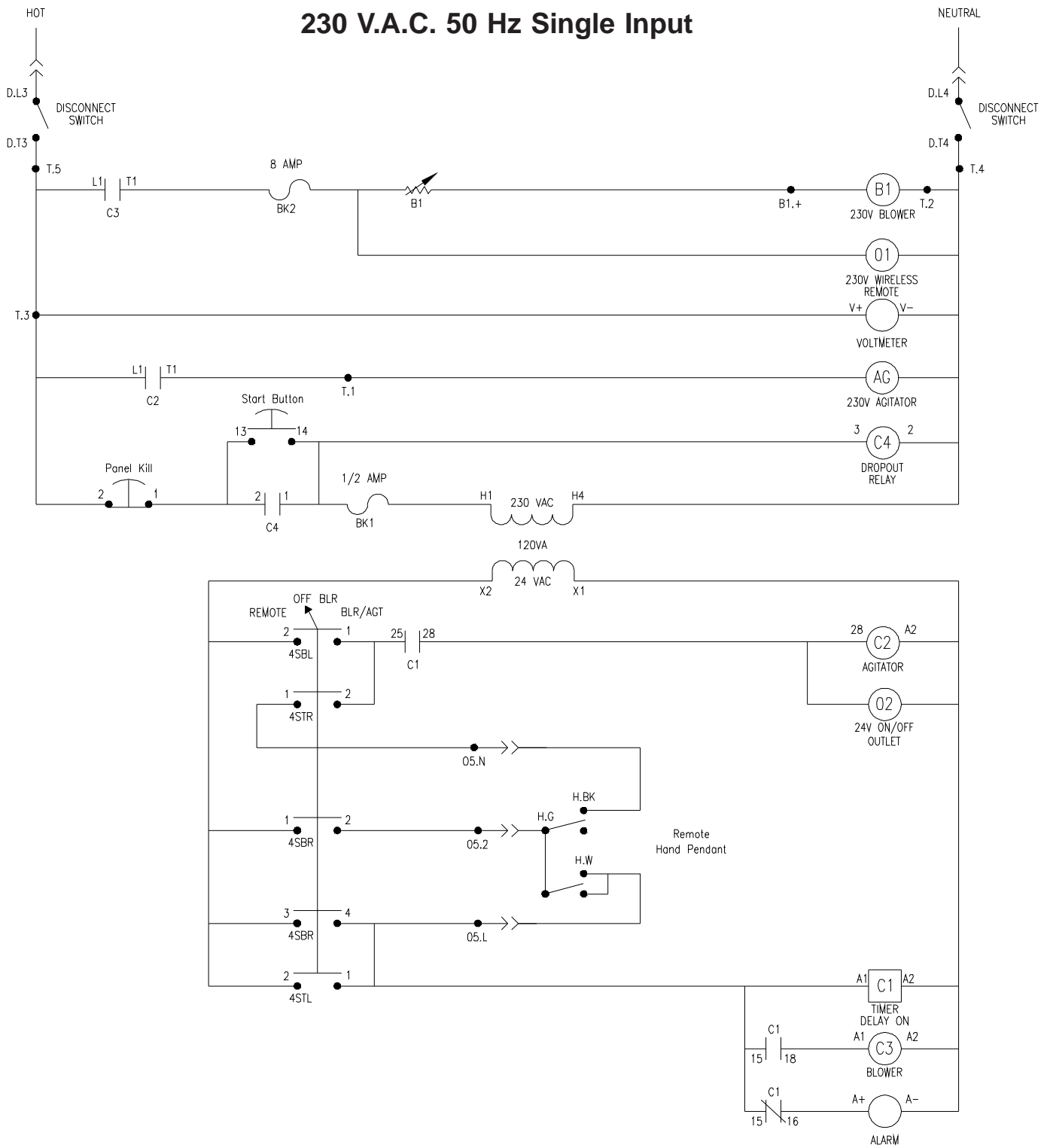
Periodically, disconnect machine from power source and check all electrical connections and components for broken or loose wires.

**MODEL #425  
230 V.A.C. 50 Hz Single Input**



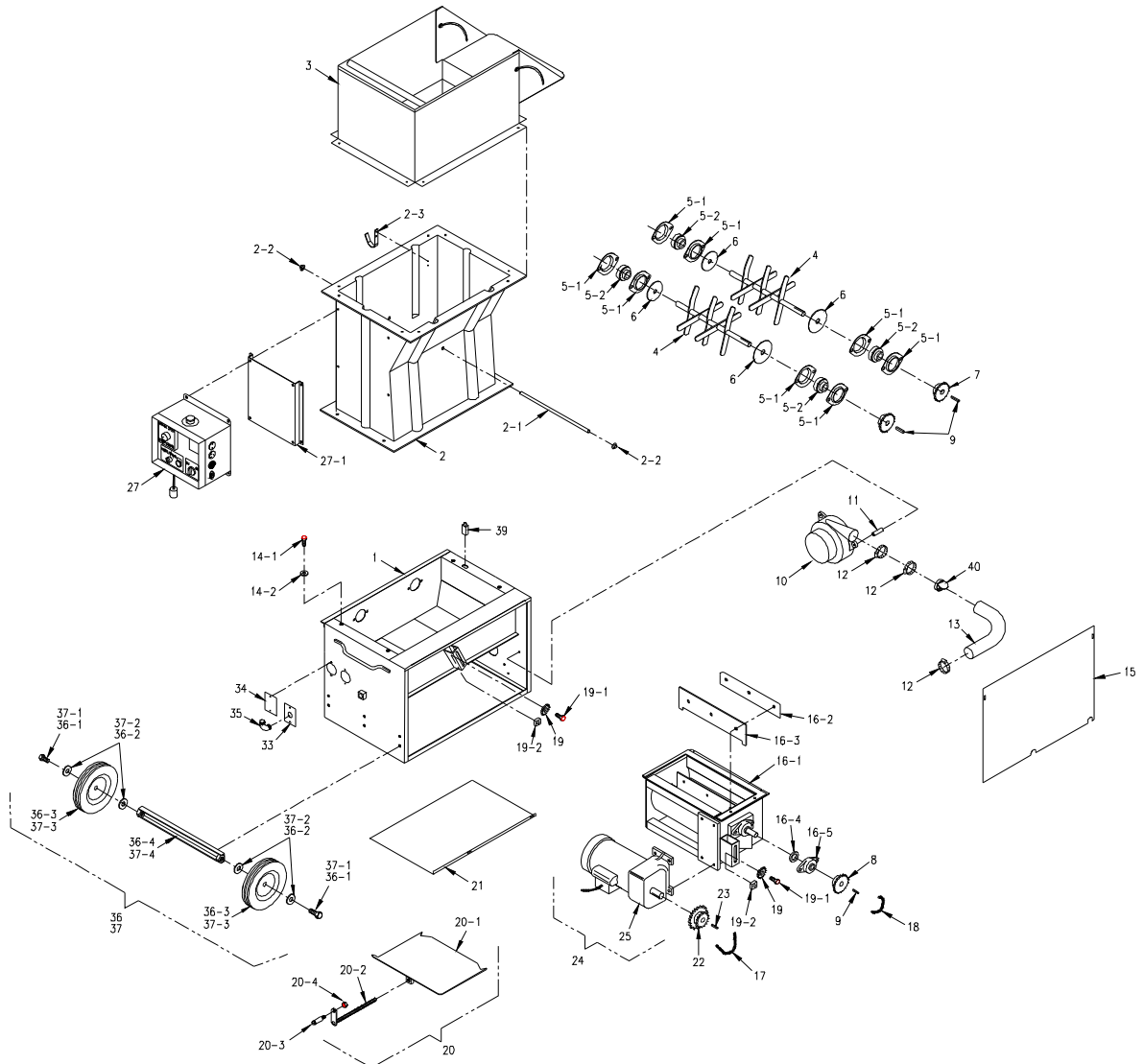
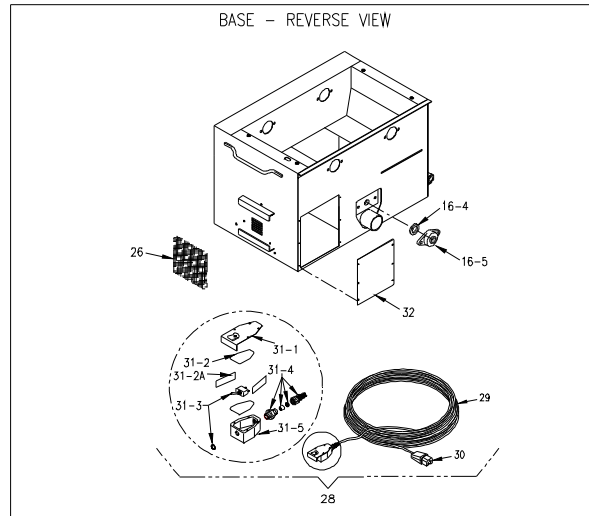
**LADDER DIAGRAM**

**MODEL #425**  
**230 V.A.C. 50 Hz Single Input**



**EXPLODED PARTS**

**#425 Machine**



**#425 PARTS LIST**

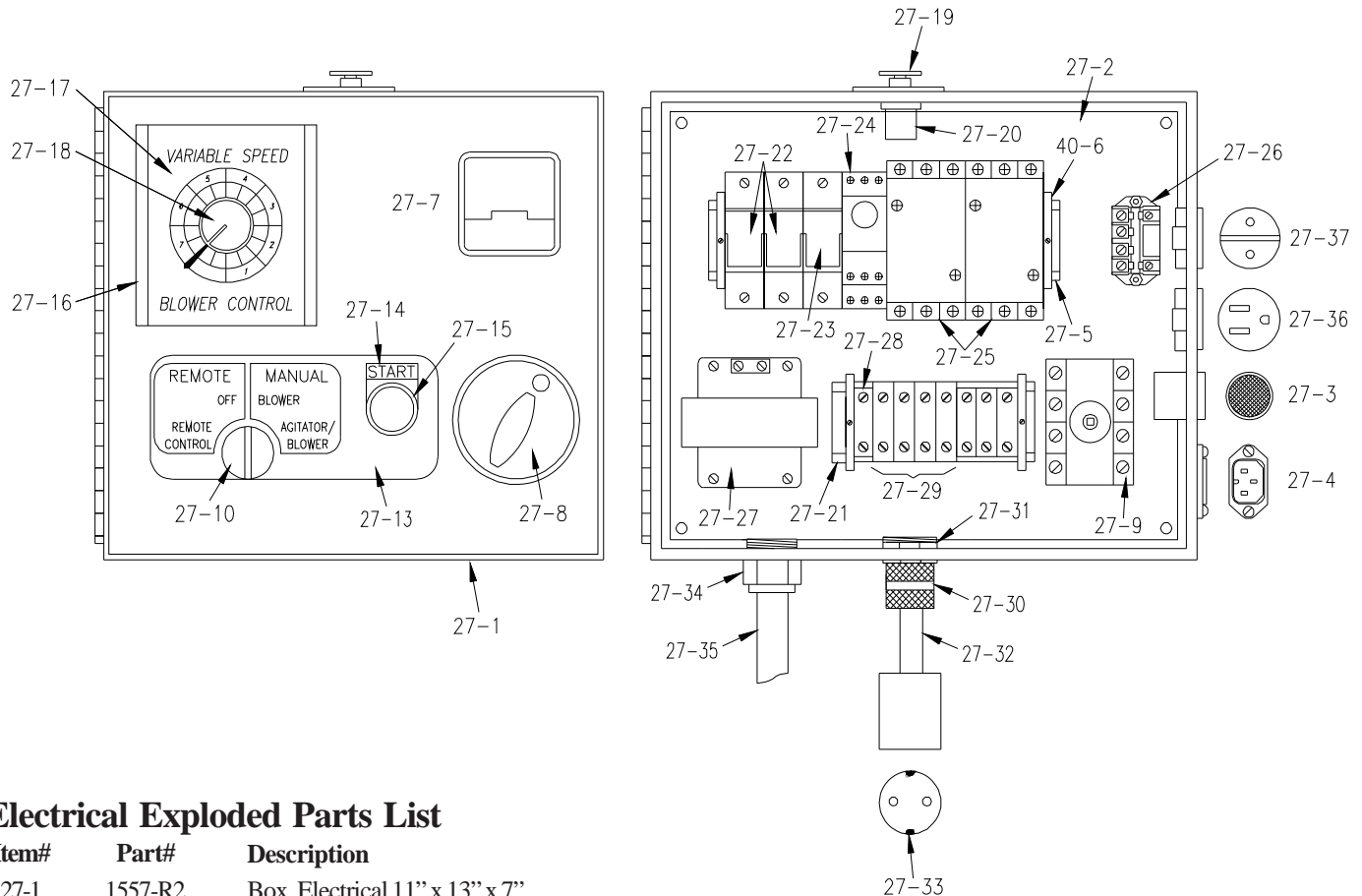
<b>Item #</b>	<b>Part #</b>	<b>Description</b>
1	4251-R7	Base
2	4252-P	Hopper, Plastic (11/09)
2-1	4252-05	13 1/2" Hopper bar
2-2	FN009	Pushnut 1/2" (2)
2-3	42569	Cord Hanger
3	4252-OS-P-R1	CE Hopper (3/11)
4	42541-R1	Agitator (2)
5-1	1507	Housing, flange, 2-bolt 3/4" stamped (8)
5-2	107-1	Bearing, 3/4" bore (4) insert only
6	1506	Seal, felt 3/4" bore (4)
7	428	#40 Sprocket, 18T x 3/4" (2)
8	4511	#40 Sprocket, 15T x 3/4"
9	448	Key, 3/16" x 3/16" x 7/8" (3)
10	408-F	Blower motor, 6 amp, 3-stage
10	408-J	Blower motor, 7 amp, 2-stage
11	409-C	Spacer, blower, 2", 7 amp blower (3) (only 1 shown)
11	409-D	Spacer, blower, 2 1/2", 12.5 amp blower (3) (only 1 shown)
12	337	Clamp, 2", hose (3)
13	42518	Vent hose, 17" long
14-1	FSB037	SB 5/16-18 x 7/8" HMS (4)
14-2	FW007	Flat Washer, 5/16" (4)
15	4253-R3	Guard, Chain
16-1	42526-R1	Airlock Chamber w/Rotor
16-2	4512-2	Plate, top airlock (6)
16-3	4512-3	Seal, airlock (6)
16-4	426-7	Seal, felt, 3/4" bolt on bearing (2)
16-5	426-6	Bearing, 2 bolt flange, 3/4" (2)
17	42523	Chain, #40 x 54", N.P.
18	590	Chain, #40 x 25"
----	199	Master link, #40 (2) (not shown)
19	432	Sprocket, Idler, #40 17T x 5/8" (2)
19-1	FSB120	SB 5/8" x 3/4" Shoulder Bolt (2)
19-2	40052	Nut, 1" x 1/2" (1/2-13), plated (2)
20	4255	Slidegate assembly
20-1	4258-R1	Slidegate
20-2	4256-A	Crankrod and bracket
20-3	4507	Handle f/crankrod
20-4	FN015	Lock Nut, 3/8"-16
21	4259-R2	Guard, bottom
22	1024	#40, Sprocket, 15T x 24T x 3/4"
23	1556	Key, 3/16" x 3/16" x 1 1/4"
24	42517-4A	Motor & Cord Assy, 1/2HP, 50/60Hz
25	42517-3	Gearmotor, 1/2HP, 50/60Hz
26	42562	Filter, blower 6 1/4" x 6 1/4"
27	ELU11-4546	Electrical System, 1 Blower, 230/50 CE

**#425 PARTS LIST**

<b>Item #</b>	<b>Part #</b>	<b>Description</b>
27-1	4252-10	Bracket, Mounting, Electrical
28	ELU95-395A-D	Remote Control Cord Assembly, 100', ELU, Style D
29	18-3 SJ	Cord, #18-3 (SJ), 100 ft.
30	543-M-8	Plug, 509-1215
31-1	1536-1-A	Cover, switch w/belt clip & guard f/hand pendant
31-2	1536-2	Insulator (2)
31-2A	1536-2A	Insulator Strip (2)
31-3	109066-9	Switch, toggle/dpdt
31-4	1536-4	Cord restraint, 3/8"
31-5	1536-5	Housing, switch
32	42567	Electrical Cover
33	42533	Outlet Cover w/hole
34	42510	Outlet, receptacle cover plate
35	543-M-25	Connector, 90 degree, 1/2" Conduit
36	W-6-STD	Wheel package, standard, 6"
36-1	FSB071	Bolt, 5/8-11 x 3 (2)
36-2	FW018	Washer, 9/16, flat washer, (4)
36-3	42520	Wheel, 6" (2)
36-4	4251-09/FN033	Wheel Bracket, 6"
37	W-9-B	Wheel package, 9", Pnuematic
37-1	FSB197	Bolt, 3/4-10 x 3 3/4 (2)
37-2	FW030	Washer, 3/4, flat washer, (4)
37-3	W-9	Wheel, 9" (2)
37-4	4251-09/FN036	Wheel Bracket, 9"
38	DCL425	Decal kit (not shown)
39	LS100	Limit Switch
40	CV101	Check Valve, 2"
----	PC-062	Urethane Foam 2" X 8" X 8" (Not Shown)

# MODEL #425 -- ELECTRICAL PARTS LIST

## 230 V.A.C. 50 Hz.



### Electrical Exploded Parts List

Item#	Part#	Description	Item#	Part#	Description
27-1	1557-R2	Box, Electrical 11" x 13" x 7"	27-21	ELU012-G	1 3/8" Dinrail, 3 1/4" Long
27-2	1565-R1	Plate, Backing for Electric Box	27-22	BRKR-5	Breaker, 1/2 AMP (2)
27-3	543-M-38	Alarm for Pre-Alarm System, 24V	27-23	BRKR-8	Breaker, 8AMP
27-4	543-M-2	Receptacle, RC Plug #509-1050 (remote)	27-24	ELU06-6	Timer, 24 VAC
27-5	ELU07-C	1 3/8" Dinrail, 8 1/2" Long	27-25	ELU11-5	GE Contactor / Relay 25 Amp (2)
27-6	151080-49	Clamp, f/ 1 3/8" Din Rail (4)	27-26	ELU10-12	Relay, E-MECH, CTRL-V230, DPDY-NO (2)
27-7	1531-B	Voltmeter, 0-300V	27-27	ELU06-10	Transformer 2A
27-8	54-M-33-OS	Operator Handle Assembly (Overseas)	27-28	151080-61	Terminal Block, Small (4)
27-9	543-M-33-D	Switch, Disconnect 40A #XA324BY	27-29	151080-62	Terminal Block, Large (4)
27-10	543-M-22	Switch, 4-position Selector	27-30	543-M-17	Connector, Cord, Liq.Tite, 1/2" Blue
27-11	543-M-15	Contact Block , Selector Switch (white) #KA-1 (not shown)	27-31	391N-A-3	Locknut, Steel, Conduit, 1/2"
27-12	543-M-16	Contact Block , Selector Switch (red) #KA-3 (3) (not shown)	27-32	12-3-SJ-M	12-3 SJ w/Brown/Blue/Green/Yellow
27-13	KMC-068	Decal, (Remote/Manual - 4-Position)	27-33	ELU06-9	Plug, European
27-14	543-M-60	Start Legend Plate	27-34	543-M-18	Connector, Conduit, 1/2" Straight
27-15	543-M-59	Switch, Pushbutton On	27-35	543-M-75	Conduit, 1/2" Flexible
27-16	419-B	Blower Control (230V, 50Hz.)	27-36	1544	Receptacle, NEMA # 5-15R
27-17	420-1	Cover, Blower Control	27-37	543-M-78	Socket, Schuko, 16A Cover Panel
27-18	420-2	Knob, Blower Control	27-38	ELU06-1	Cover, Transformer (not shown)
27-19	508-2	Switch, Kill	27-39	ELU10-13	Cover, E-MECH Relay (not shown)
27-20	8075-1	Contactur, Kill Switch			



## GLOSSARY

<b>BRIDGING</b>	Tendency of insulation to cling in the hopper forming an air pocket above the airlock. This hinders the normal feeding process of the machine.
<b>CFM</b>	(Cubic feet per minute). A measurement of volume or <b>quantity</b> of air flowing at a certain rate, or air moving capability, of a blower. It is the volume of air moved per minute. Higher volume provides increased coverage and velocity of insulation as it leaves the hose.
<b>COVERAGE</b>	Refers to the amount of insulation coverage, usually measured in square feet, according to the R-value desired. This information is given on the insulation package.
<b>PSI</b>	(Pounds of pressure per square inch). The <b>force</b> exerted on a surface by air/liquid. High-pressure blowers push the insulation through the hose. Higher pressure provides less hose plugging and increased compaction in side wall.
<b>PRODUCTION RATE</b>	Pounds of insulation blown per hour.
<b>RPM</b>	(Revolutions per minute). Speed at which the shaft of a rotating device (i.e. blower fan, agitator) is moving.
<b>R-VALUE</b>	Resistance value. A precise measurement of the insulation's resistance to heat transfer. The higher the resistance value, the slower the heat will transfer through the insulating material.
<b>SETTLED DENSITY</b>	The point at which the insulation will not continue to settle further. Any insulation blown will have a certain amount of progressive settling that occurs after a period of time. Following the insulation manufacturers recommendations for bag rate coverage will provide useful information to accommodate for settling.
<b>SETTLING</b>	Compression or compaction of insulation fibers caused by the weight of the material, vibration of structure, temperature, and humidity cycles.

**SERVICE RECORD**

DATE	MAINTENANCE PERFORMED	COMPONENTS REQUIRED



## **55 YEARS OF AMERICAN INGENUITY**

**Made in the U.S.A.**

---

---

**KRENDL MACHINE COMPANY • 1201 SPENCERVILLE RD  
DELPHOS, OHIO 45833 • TELEPHONE 800-459-2069 • FAX 419-695-9301  
E - MAIL: [krendl@krendlmachine.com](mailto:krendl@krendlmachine.com) • WEB SITE: [www.krendlmachine.com](http://www.krendlmachine.com)**

---

---