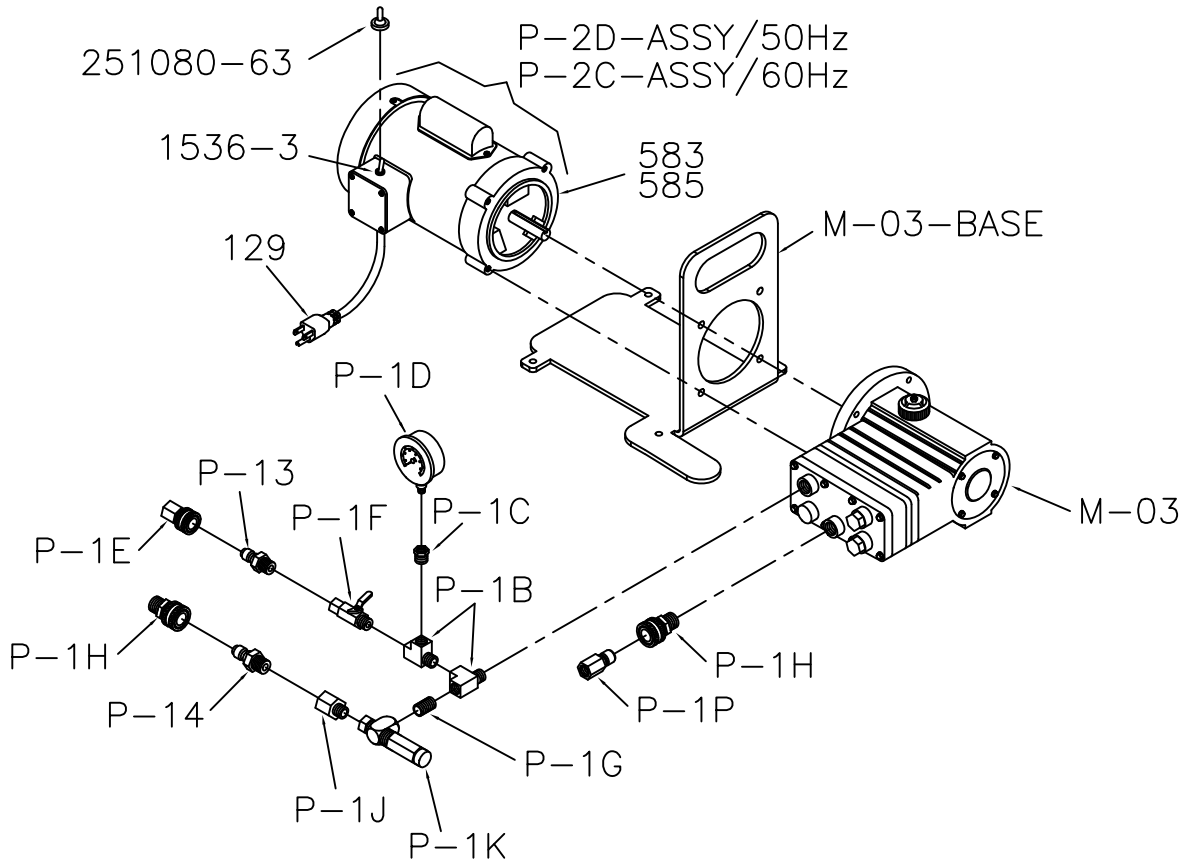


MODEL #348D
PUMP & MOTOR
WANNER M-03



PART NO.	-----	DESCRIPTION
348D-60	-----	PUMP & MOTOR, 120/230V., 60 Hz. (ASSEMBLY)
348D-50	-----	PUMP & MOTOR, 120/230V., 50 Hz. (ASSEMBLY)
348D-KIT	-----	DIAPHRAGM REPAIR KIT
M-03	-----	M-3 DIAPHRAGM PUMP (M-3XRBTHEC)
P-1B	-----	STREET TEE, 3/8" (2225P-6)
P-1C	-----	BUSHING, 1/4" to 3/8" (41403)
P-1D	-----	PRESSURE GAUGE, 0-600 P.S.I
P-1E	-----	COULPER, 3/8" FPT (BST-3)
P-1F	-----	BALL VALVE, 3/8", MALE/FEMALE
P-1G	-----	CLOSE NIPPLE, 3/8" (215N-6)
P-1H	-----	QUICK DISCONNECT COUPLER, 1/2" MPT (BST-4M)
P-1J	-----	ADAPTER, 1/2" to 3/8" (222P-8-6)
P-1K	-----	BALANCED PRESSURE REGULATOR, 3/8" (5551090)
P-2C-ASSY	-----	MOTOR 1 H.P. ASSY 60Hz
P-2D-ASSY	-----	MOTOR 1 H.P. ASSY 50Hz
583	-----	MOTOR, 1 H.P. 120/230 V., 60 Hz.
585	-----	MOTOR, 1 H.P. 120/230 V., 50 Hz.
M-03-BASE	-----	BASE MOUNT, PUMP
129	-----	CORD, MOLDED PLUG, 3 FT
1536-3	-----	SWITCH, TOGGLE (SPST) (2FA54-73)
251080-63	-----	COVER F/TOGGLE SWITCH
P-13	-----	QUICK DISCONNECT NIPPLE, 3/8" MPT (BST-3M)
P-14	-----	QUICK DISCONNECT NIPPLE, 1/2" MPT (BST-N4)
P-1P	-----	QUICK DISCONNECT NIPPLE, 1/2" FPT (BST-N4M)