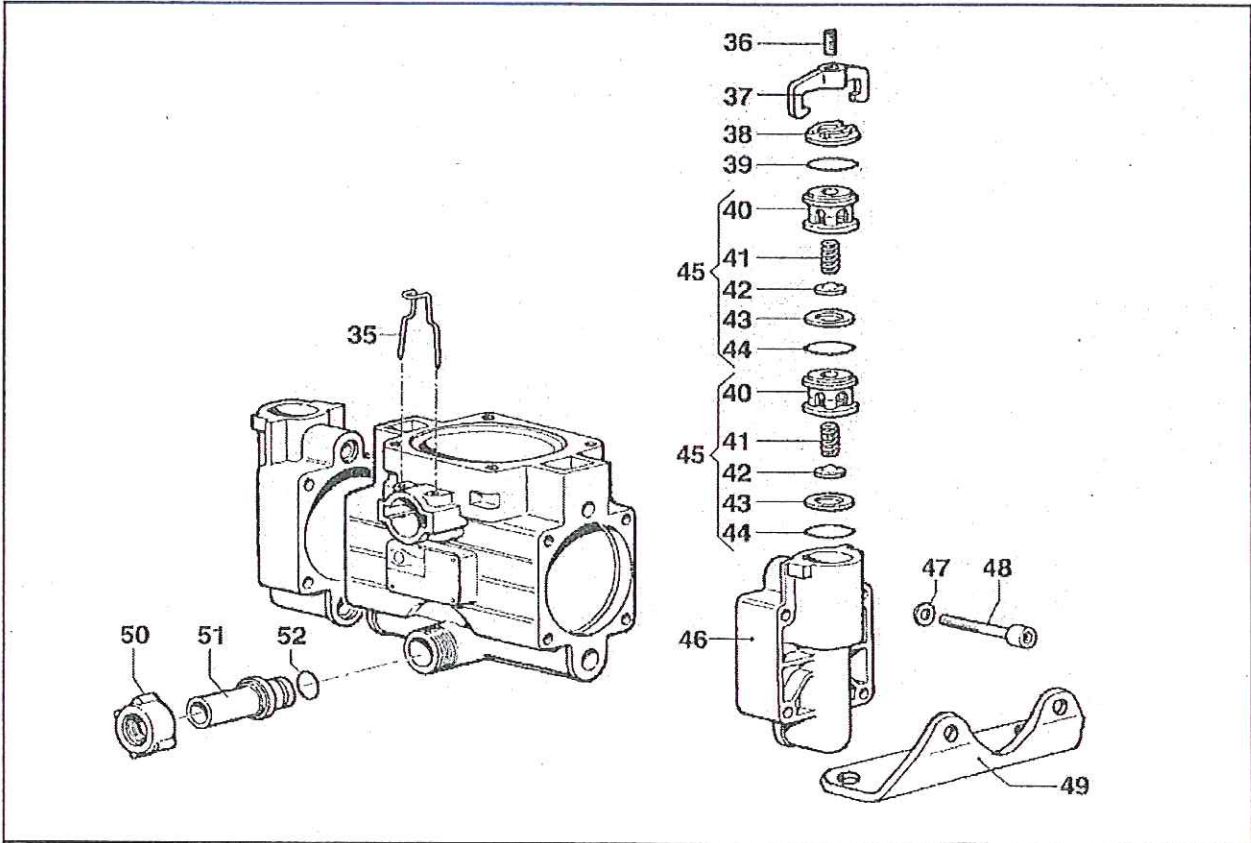
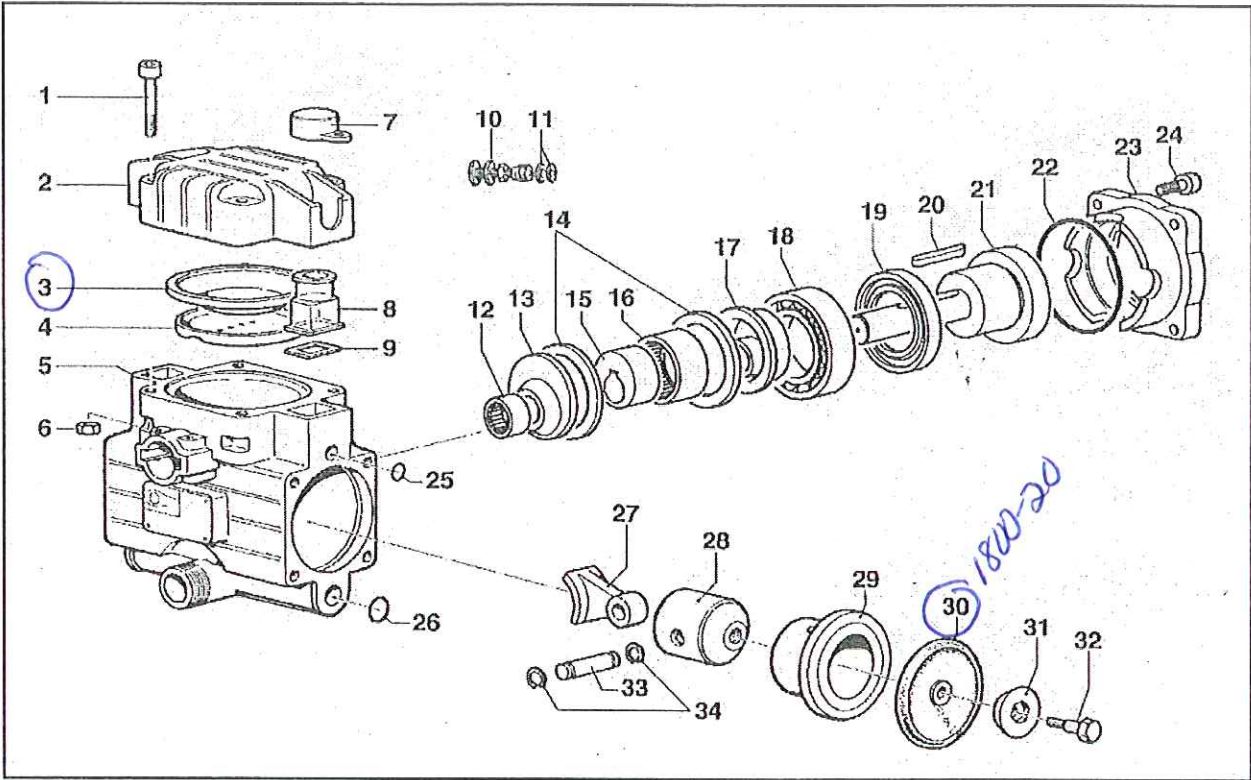


MP20 Parts Breakdown



MP20 Parts List

Code	Part Number	Description	Qty
1	3609 0095	screw	4
2	0003 0023	pulsation dampner	1
3	1800 0033	diaphragm P-1800-33	1
4	0460 0011	support P-460-11	1
5	0403 0083	crankcase	1
6	0604 0105	screw	4
7	1800 0081	oil cap P-1800-81	2
8	0421 0013	oil cup P-421-13	2
9	1201 0071	gasket P-1201-71	2
10	3610 0003	air valve P-3610-3	1
11	1209 0033	gasket P-1209-33	2
12	0437 0026	roller bearing P-437-26	1
13	2813 0047	washer P-2813-47	1
14	0010 0008	connecting rod ring P-10-8	2
15	0800 0006	spacer P-800-6	1
16	0437 0027	roller bearing P-437-27	1
17	2813 0023	washer P-2813-23	1
18	0438 0037	ball bearing	1
19	0019 0023	oil seal P-19-23	1
20	1602 0021	key	1
21	0004 0010	shaft P-4-10	1
22	1210 0069	o-ring P-1210-69	1
23	0405 0022	support P-405-22	1
24	3609 0009	screw	4
25	1210 0057	o-ring P-1210-57	2

26	1210 0021	o-ring P-1210-21	2
27	0205 0021	connecting rod P-205-21	1
28	2409 0023	piston P-2409-23	
29	0400 0030	piston sleeve	2
30	1800 0020	diaphragm P-1800-20	2
31	0602 0008	retaining disc P-602-8	2
32	3605 0027	screw P-3605-27	2
33	3011 0006	retaining clip	2
34	3020 0020	piston rod P-3020-20	4
35	1202 0017	hook pin P-1202-17	1
36	3622 0017	screw P-3622-17	2
37	0418 0033	u-bolt P-418-33	2
38	3202 0081	plug P-3202-81	2
39	1210 0191	o-ring P-1210-191	2
40	1205 0021	valve cage P-1205-21	4
41	1802 0034	spring P-1802-34	4
42	3604 0007	valve plug	4
43	3009 0057	valve seat P-3009-57	4
44	1210 0191	o-ring P-1210-191	4
45	1220 0021	valve P-1220-21	4
46	3218 0069	valve chamber P-3218-69	2
47	2811 0004	washer P-2811-4	4
48	3609 0159	screw	8
49	2400 0043	mounting brackets	2
50	1200 0008	wing nut P-1200-8	1
51	2800 0019	hose tail P-2800-19	1
52	1210 0046	o-ring P-1210-46	1

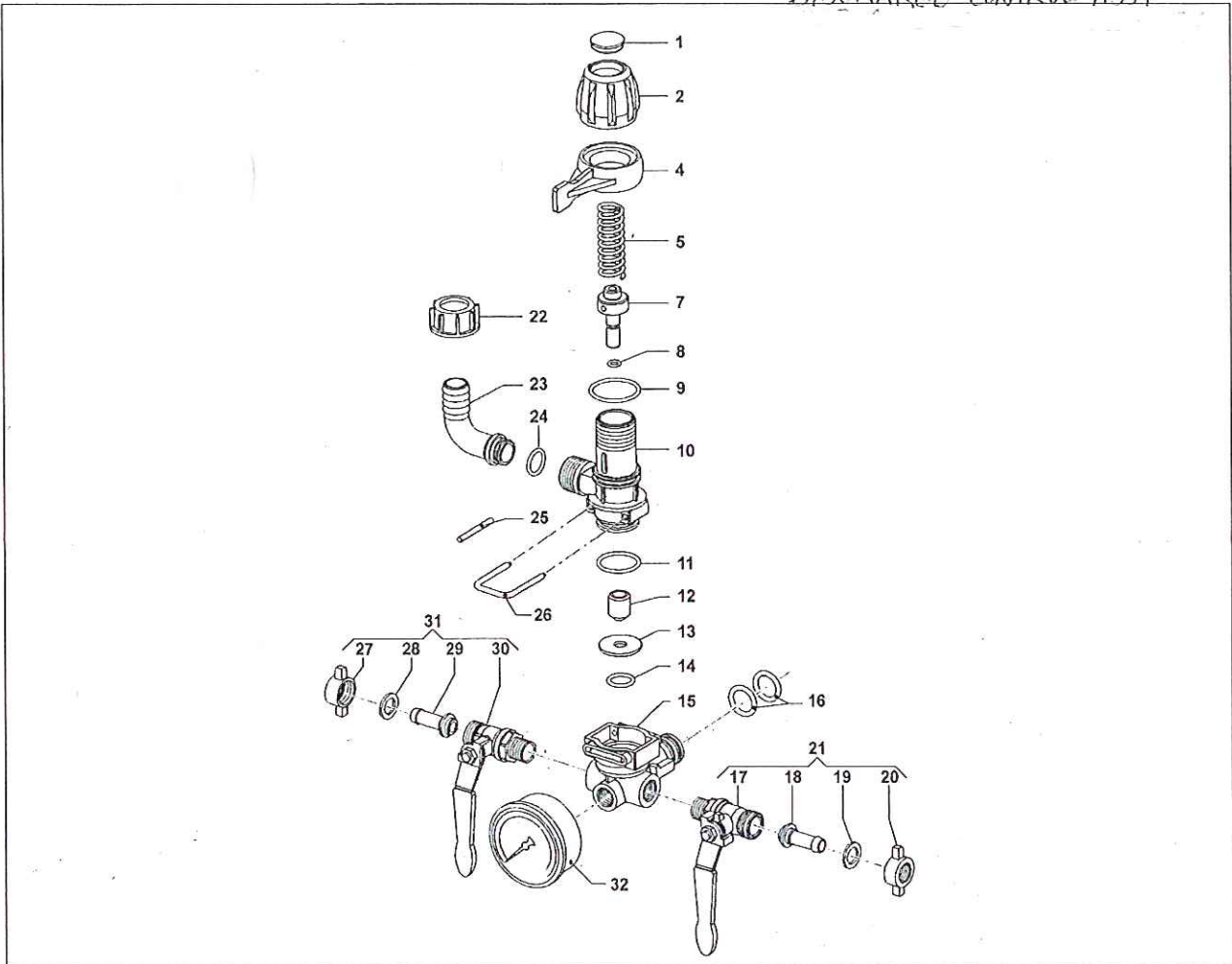
Repair Kit

3	1800 0033	diaphragm P-1800-33	1
9	1201 0071	gasket P-1201-71	2
25	1210 0057	o-ring P-1210-57	2
26	1210 0021	o-ring P-1210-21	2
30	1800 0020	diaphragm P-1800-20	2
44	1210 0191	o-ring P-1210-191	4
45	1220 0021	valve P-1220-21	4
52	1210 0046	o-ring P-1210-46	1

• Gruppo Comando SIRIUS - 2 vie 30 bar - su Pompa
 • On Pump 2 outlets 30 bar SIRIUS Control Assembly

P- (1204 0460)

DISCHARGE CONTROL ASSY



N°	Cod.	Descrizione	Description	Note	Qty
1	3202 0255	Tappo	Plug		1
2	1223 0097	Anello Regol. Molla Press.	Adjustable Nut		1
4	1600 0076	Leva Comando	Lever		1
5	1802 0048	Molla (Filo Ø3,2)	Spring (Wire Ø3,2)	Øe22x59	1
7	2426 0024	Pattino Valvola Regolazione	Valve Guide		1
8	1210 0072	Guarnizione OR Viton®	Viton® O-Ring	Ø2x6	1
9	1210 0461	Guarnizione OR	O-Ring	Ø2x32	1
10	0424 0367	Corpo Valvola Regolazione	Regulation Valve Body		1
11	1210 0079	Guarnizione OR Viton®	Viton® O-Ring	Ø2,62x26,65	1
12	3600 0009	Valvola Pressione	Pressure Valve		1
13	3009 0133	Sede Valvola Regolazione	Valve Seat		1
14	1210 0021	Guarnizione OR	O-Ring	Ø2,62x15,54	1
15	0424 0370	Corpo Gruppo di Comando	Control Assembly Body		1
16	1210 0002	Guarnizione OR	O-Ring	Ø2,62x20,7	2
17	2826 0029	Rubinetto DX	Right Top	3/8-1/2 GAS	1

N°	Cod.	Descrizione	Description	Note	Qty
18	2802 0018	Raccordo p.g. Mandata DX	Right Delivery Hose Tail	Ø8x10	1
19	1209 0013	Guarnizione	Gasket	Ø12x18x2	1
20	1200 0038	Galletto DX	Right Wing Nut	1/2" GAS	1
21	1214 0015	Gruppo Rubinetto DX	Right Complete Tap		1
22	1200 0059	Galletto	Wing Nut	63/4	1
23	2801 0080	Raccordo p.g. Aspiraz. Curvo	Suction Elbow Tail	Ø13 63/4	1
24	1210 0036	Guarnizione OR	O-Ring	Ø2,62x13,10	1
25	3005 0027	Spina	Pin	4x40	1
26	1202 0051	Gancio	Hook		1
27	1200 0038	Galletto SX	Left Wing Nut	1/2" GAS	1
28	1209 0013	Guarnizione	Gasket	Ø12x18x2	1
29	2802 0018	Raccordo p.g. Mandata SX	Left Delivery Hose Tail	Ø8x10	1
30	2826 0030	Rubinetto SX	Left Top	3/8-1/2 GAS	1
31	1214 0014	Gruppo Rubinetto SX	Left Complete Tap		1
32	1816 0035	Manometro	Pressure Gauge	30 bar	1

P-ID - Pressure gauge
 Bottom mounted
 P-1816-114
 Center back mounted

PER POMPE MODELLO: / FOR PUMP MODEL: • MP 20 • MP 30 • MP 40 • MP 40AP