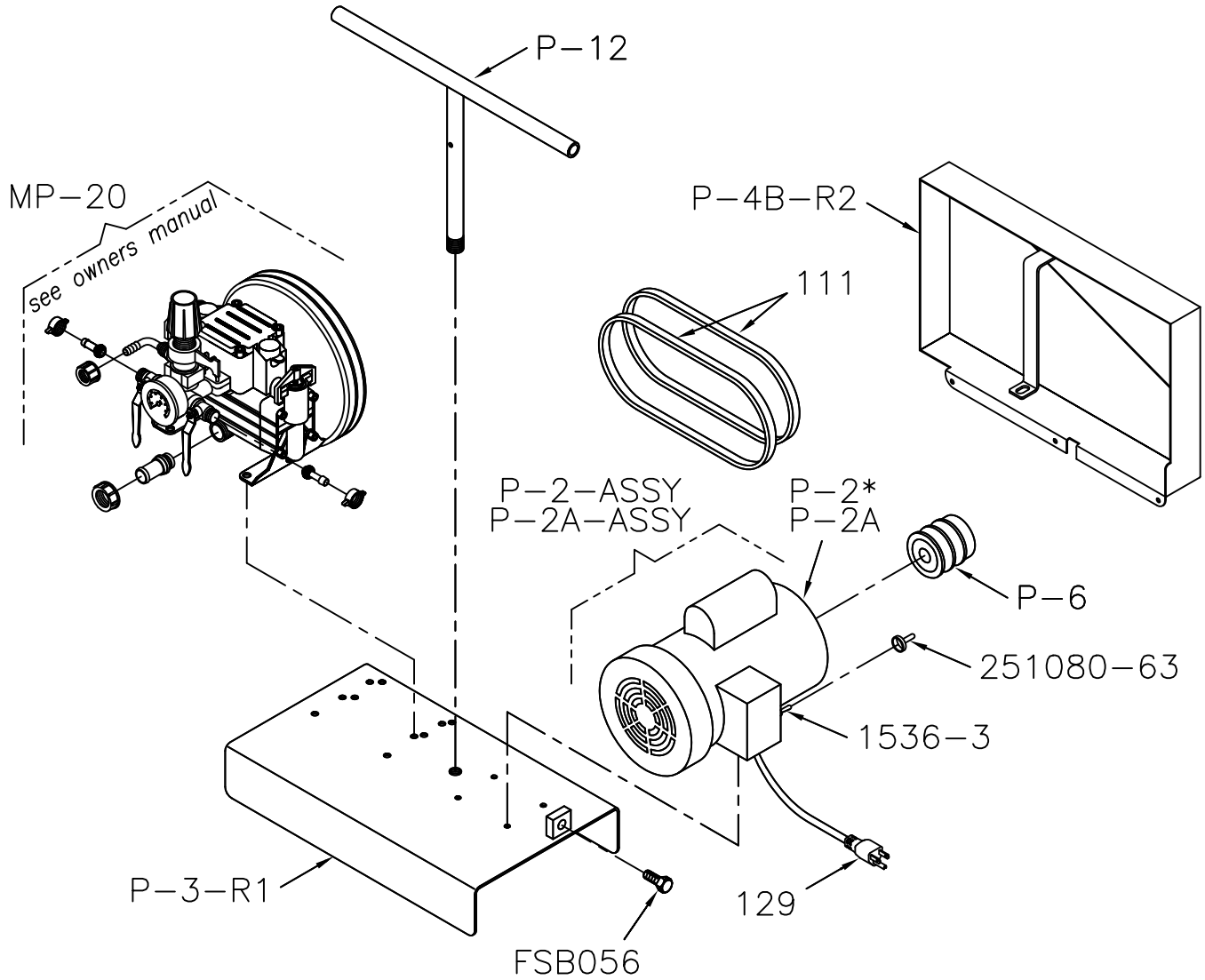


KRENDL MACHINE CO. INC.
 MODEL #348B
 PUMP & MOTOR
 DYNESCO MP-20



PART NO.	DESCRIPTION
348B-60	PUMP & MOTOR, 110/220V., 60 Hz. ASSEMBLY
348B-50	PUMP & MOTOR, 110/220V., 50 Hz. ASSEMBLY
MP-20	MP-20 DIAPHRAGM PUMP
P-2-ASSY	MOTOR, 1 H.P., 120/240 V., 60 Hz. ASSY
P-2A-ASSY	MOTOR, 1 H.P., 120/230 V., 50 Hz. ASSY
P-2*	MOTOR, 1 H.P. 120/240 V., 60 Hz., T.E.F.C.
P-2A	MOTOR, 1 H.P. 120/230 V., 50 Hz., T.E.F.C.
P-3-R1	BASE, PUMP
P-4B-R2	BELT GUARD
111	V-BELT, {2 REQUIRED} (#4L420)
P-6	PULLEY, 3" DIA. x 5/8" BORE (2AK28x5/8)
129	CORD, MOLDED PLUG, 3 FT
1536-3	SWITCH, TOGGLE (SPST) (2FA54-73)
251080-63	COVER F/TOGGLE SWITCH
P-12	T-HANDLE
FSB056	1/2 - 13 x 1 3/4 Hex Head