



# KRENDL™

The Innovator in Insulation Equipment



*Glass Master*

## OWNERS MANUAL MODEL #FG425



**60 YEARS OF AMERICAN INGENUITY**

KRENDL MACHINE COMPANY • 1201 SPENCERVILLE RD  
DELPHOS, OHIO 45833 • TELEPHONE 800-459-2069 • FAX 419-695-9301  
E - MAIL: [krendl@krendlmachine.com](mailto:krendl@krendlmachine.com) • WEB SITE: [www.krendlmachine.com](http://www.krendlmachine.com)

**CONGRATULATIONS ON YOUR PURCHASE OF KRENDL EQUIPMENT**

**MODEL FG425  
OWNER'S MANUAL**

**FOR ASSURED SAFETY AND CONFIDENCE, PLEASE READ THIS  
MANUAL CAREFULLY BEFORE INSTALLING AND OPERATING YOUR  
MACHINE.**

**E-MAIL ADDRESS IS: [krendl@krendlmachine.com](mailto:krendl@krendlmachine.com)  
WEB SITE IS: [www.krendlmachine.com](http://www.krendlmachine.com)**

# Table of Contents

	PAGE
INTRODUCTION.....	1
GENERAL SAFETY INFORMATION.....	2-3
DECALS.....	4-5
WARRANTY.....	6
RETURNED GOODS PROCEDURE and SPECIFICATIONS	7
BASIC COMPONENTS.....	8
OPERATING INSTRUCTIONS.....	9-10
GENERAL MAINTENANCE.....	11-13
TROUBLESHOOTING.....	14
ELECTRICAL.....	15
LADDER DIAGRAM.....	16
PARTS LIST.....	17-19
GLOSSARY.....	20
SERVICE RECORD.....	21

## INTRODUCTION

Thank you for purchasing a **KRENDL INSULATION MOVING MACHINE**. With over sixty years experience in manufacturing insulation moving equipment, we have designed and built your machine with the highest quality to provide years of reliable service.

This manual has been prepared to help you obtain the maximum efficiency and service from your Krendl equipment. The machine is designed to condition and apply insulation with the utmost in dependable performance. Our primary objective is to build equipment which will provide complete satisfaction so that you may confidently recommend Krendl to others.

We do not manufacture or sell insulation. Our interest lies only in the proper performance of the equipment we manufacture. We make no recommendations or guarantees concerning various insulations.

**CAUTION:**



This manual contains important information regarding the **safe** assembly and operation of your machine. We urge you to read it carefully and follow the instructions provided. If your questions are not answered in this manual, may we hear from you? We want you to be able to operate this unit safely and confidently.

**UNPACKING:** Store and unpack carton with correct side up. Unpack your machine **IMMEDIATELY** and check for damage in shipping. **Place any damage claim with delivering carrier, saving all packing materials for inspection.** Our warranty covers manufacturer's defects only. **DO NOT** return to shipper.

**FILL IN AND RETAIN:**

Krendl Machine Company  
1201 Spencerville Rd  
Delphos, Ohio 45833 U.S.A.


Telephone: 800-459-2069  
Fax: 419-695-9301  
E-mail: [krendl@krendlmachine.com](mailto:krendl@krendlmachine.com)  
Web Site: [www.krendlmachine.com](http://www.krendlmachine.com)


For your protection in the event of theft or loss, please fill in the information requested for your own records. This information will be needed for in-warranty repairs. You may also want to attach a copy of your invoice.

Machine model number _____	Blower motor manufacturer _____
Serial number _____	Gear motor manufacturer _____
Blower(s) serial number(s) _____	Gear motor serial number _____
Supplier _____	Date of purchase _____

The model and machine serial numbers are located on the hopper of the machine unit. The blower and gearmotor serial numbers are located on the motor housing of each unit.

## GENERAL SAFETY INFORMATION

 **Important:** Read **all** instructions **before** operating this unit. This equipment can be potentially dangerous and must be used in strict accordance with instructions.

 **Disclaimer Notice:** The manufacturer will not be legally responsible for any injury or damage resulting from the improper use of this equipment or the failure to follow instructions.

### Unpacking

Handle cartons with care to avoid damage from dropping or bumping. Store and unpack cartons with the correct side up. Completely remove machine from the packaging and from any shipping pallet or skid to which it might be attached. In addition, completely remove all shipping materials from **inside** the machine including wheel package, manual, ect....



### General Safety

1. Read this manual carefully and become familiar with your machine unit. Know its applications, limitations, and any hazards involved.
2. This machine was designed and manufactured for specific applications. Do not attempt to modify the unit or use it for any application it was not designed for. If you have any questions about your intended use or the machines suitability, ask your dealer/distributor or consult the factory. The manufacturers' could not possibly anticipate every circumstance that might involve a hazard. For that reason, warnings in the manual and warning tags or decals affixed to the unit, are **not** all-inclusive. If you intend to handle, operate, or service the unit by a procedure or method not specifically recommended by the manufacturer, first make sure that such a procedure or method will not render this equipment unsafe or pose a threat to you and others.



### Electrical Safety

- The **National Electric Code** (NEC) in the United States and many international electrical codes require frame and external electrically conductive parts of this machine to be properly connected to an approved earth ground. Local electrical codes may also require proper grounding of machine. Consult with local electricians for grounding requirements in your area.
- Never handle any kind of electrical cord or device while standing in water, while barefoot or while hands or feet are wet. Dangerous electrical shock will result.
- Use a ground fault circuit interrupter (GFCI) in any damp or highly conductive area. (metal decking or steel work)
- Reference NFPA 79, 70E, or OSHA safe work practices when performing energized work procedures.



### Safety/Caution

- **Be Safe** - Keep away from moving parts.
- **Be Safe** - Make sure all guards and hopper bar are in proper place **before** operating machine. Guards and safety devices/switches should not be removed, modified or by-passed. Hands should **never** pass below hopper bar.
- **Be Safe** - Do not remove motors or lift hopper when unit is connected to power supply.
- **Be Safe** - Make sure machine is properly grounded. Protect all electrical supply cords from sharp objects, moisture, and other potentially hazardous materials. Keep power cords in good repair. Electrical service must be performed by a qualified electrician.
- **Be Safe** - Disconnect power supply **before** inspecting or adjusting unit.
- **Be Safe** - Consult a qualified technician to answer questions **before** attempting to operate, or injury may result.
- **Be Safe** - Do not operate machine alone.
- **Be Safe** - Do not leave machine unattended and energized.
- **Be Safe** - Turn machine off and disconnect electricity before clearing and feeding jam or attempting to remove any object dropped in the hopper.
- **Be Safe** - Keep hands, loose clothing, jewelry and hair away from agitators, gears, chains and other moving parts.
- **Be Safe** - Use proper lifting when moving insulation and loading machine.
- **Be Safe** - Keep work area clear of debris.
- **Be Safe** - Wear proper safety equipment, including protective gear, such as respirators, eye and ear protection.
- **Be Safe** - Violation of the Owner's Manual or safety precautions may void warranty.



### Make Sure!

- Hopper is empty of foreign objects **before** starting.
- Adequate electrical power is supplied or damage to unit will result.
- Blower filter is kept clean and in place when blower is on.
- Machine is turned off **immediately** if hose is plugged, or blower will overheat.
- Machine must be on **before** adding insulation.
- Blower(s) must be on, when agitators are running, or machine will bind.
- Agitator motor is not run with hopper empty for more than a few minutes, or damage to seals will result.
- Sprockets, chains, belts and pulleys are correctly **aligned** and **tensioned**.
- Pieces of bag are **not** left in the machine as this can bind and stall your machine.
- This machine should only be used with good quality insulations that are dry, undamaged and that meet a certain industry specification or quality standards.
- Set screws on tension bar inside hopper have not backed out due to vibration. This could cause material to get underneath the base and damage motors. Failure to check **will** void the warranty on motors.

**DECALS**



Keeping the filter clean will result in longer blower life and better performances.



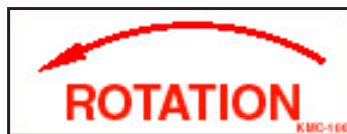
Rotating parts can be dangerous! You can snag clothes, skin, hair, hands, etc. This can cause serious injury or death.



Manufacturer information is provided here along with machine model, and serial number.



Indicates the controls that start, stop, and run the machine.



Rotating parts will be moving in this direction.



Identifies what type of insulation should be used with this machine and that the manual should be read before operating. Warns to be careful around electrical components! This can cause serious injury or death.



Identifies position of material feed gate.



Part number for identification and tracking.



General safety information intended to reduce the risk of serious injury or death



### Model 425 Machine

#### OPERATING INSTRUCTIONS

- Read all safety and operating instructions before operating this unit.
- This unit comes ready for connection with hose, clamp, power cord, and accessories (supplied separately).
- This unit provides a d-ring hook-up to 2 1/2" I.D. hose. Slide hose on blower outlet and secure with a hose clamp to provide safe working conditions. All hose connections should have hose clamps to prevent air leakage and separation of hose.
- Adequate power should be supplied to machine at all times. Should machine need (2) power supplies then each input cord should be connected to (2) individual breakers or power supplies. WHEN USING EXTENSION CORDS, WIRE GAUGE SIZE SHOULD NOT BE LESS THAN #12-3 AND NOT EXCEED 50' IN LENGTH.
- When assembling unit, make sure all controls are in OFF position. Hook up electrical supply. Follow instructions below for machines with remote control (SECTION A) or without remote control (SECTION B).
- This machine is equipped with an emergency stop button for your safety. This button must be pulled out and the start button must be pressed for the machine to start.

**SECTION A (with remote control)**  
This unit has a separate electrical panel that has a three position switch as follows. (NOTE: This panel will be referred to as the CONTROL PANEL and the toggle switch at the end of the remote cord as the REMOTE CONTROL SWITCH.)

LEFT POSITION	CENTER POSITION	RIGHT POSITION
<b>REMOTE</b>	<b>DEF</b>	<b>BLOWER ON</b>
Automatic side - Remote Control operates the BLOWER MOTOR on with AGITATOR MOTOR. (Must frequently check)		

A Manual Operation Switch is located on the right side of control panel. Flip switch to ON position to run machine without Remote Control Switch and the toggle switch at the end of the remote cord to an ON position.

**SECTION B (without remote control)**

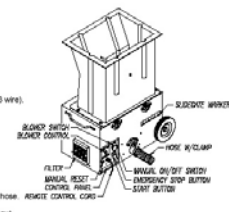
LEFT POSITION	CENTER POSITION	RIGHT POSITION
<b>MANUAL</b>	<b>DEF</b>	<b>BLOWER ON</b>
Operates the BLOWER MOTOR on with AGITATOR MOTOR		

- The first bag of insulation into hopper should be well broken by hand to seal agitator action. Caution: Hopper bins MUST be in place while loading hopper. NEVER put hands below bar or force-feed material by pushing down on insulation.
- Fill hopper with insulation and adjust SLIDEGATE. Open SLIDEGATE to allow fluffs to drop into the airlock providing good production, but not beyond point where hose plugs. As hose length is increased, the SLIDE GATE should be closed proportionally.
- At the end of the workday, empty the hopper, BLOW OUT THE HOSE with the machine and clean filter.

#### TROUBLESHOOTING

(IMPORTANT: DO NOT attempt to service unit. Contact your dealer for further information.)

- If machine does not run:
  - Make sure emergency stop button on CONTROL PANEL is pulled out and start button is pressed.
  - Check manual reset button on circuit breaker. Press to reset.
  - Check REMOTE CONTROL CORD for broken connections.
  - Switch blower motor toggle on CONTROL PANEL to right position, OFF.
  - Check power cords for proper connection.
- Low or knocking sound:
  - UNPLUG power supply. Check machine agitator and airlock for foreign objects.
  - UNPLUG power supply. Check for misaligned sprockets or loose chain.
- Floor output from machine or uneven flow through hose:
  - Open SLIDEGATE to increase material output.
  - Units with variable speed BLOWER CONTROL, turn BLOWER CONTROL up.
  - UNPLUG power supply. Check for material bridging in hopper.
  - Low voltage, try another electrical source. Proper wire size for extension cord (#12-3 wire).
  - UNPLUG power supply. Check for worn or damaged rubber airlock seals.
- Too much dust on open blow:
  - Open SLIDEGATE to increase material output.
  - Units with variable speed BLOWER CONTROL, turn BLOWER CONTROL down.
- BLOWER MOTOR running hot:
  - UNPLUG power supply. Clean filter. Blow out surrounding area with air hose.
  - UNPLUG power supply. Check for restriction in blowing hose.
  - UNPLUG power supply. Check for buildup of fluff around blower.
- AGITATOR MOTOR running hot:
  - UNPLUG power supply. Check for fluff buildup around motor and blow out with air hose.
  - Low voltage can cause this condition. Try another electrical source (#12-3 wire).
  - UNPLUG power supply. Debris jamming airlock. Rotate airlock manually and clean out.
  - UNPLUG power supply. Check for sprocket misalignment and bearing wear.

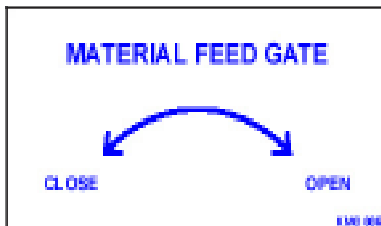


KMC-27 REV 3

Operating and troubleshooting instructions provided here.



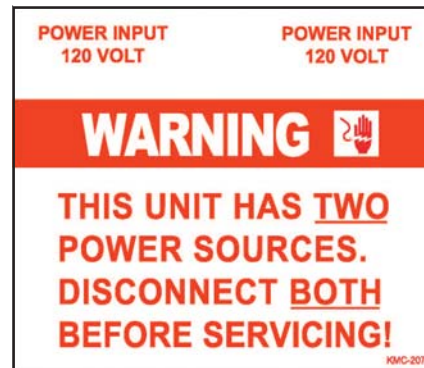
Made in the U.S.A.



Opens and closes the material feed gate which in turn controls the production.



Indicates which employee inspected equipment and on what date.



Specifies the input power of the machine and indicates this unit has two power sources that should be disconnected before servicing to reduce the risk of serious injury or death.



**WARRANTY:**

Krendl Machine Company (Company) warrants to each original purchaser (Buyer) of its machines that such products will be free of manufacturing defects for a period of 2 years from the date of shipment to the Buyer. (This does not include accessories, pumps, blowers, wall scrubbers, etc.)

No warranty is made with respect to:

1. Components or accessories manufactured and warranted by others. Warranties for purchased component parts as supplied from vendor such as engine, electric motor, blower, gearbox, transmission, etc., if furnished by the manufacturer of the component, are on file at the Company's main office and copies will be furnished at request of Buyer. Component(s), shipping costs prepaid, shall be sent to Company who in turn shall forward to vendor for evaluation and warranty determination.
2. Any defect caused by repair, alteration and/or adjustment performed by Buyer or customer/ vendor of Buyer without the express written authorization of the Company.
3. The labor costs of replacing parts by parties other than the Company.
4. Any machine that has not been operated and/or maintained in accordance with normal industry practice and the written recommendations of the Company. (e.g. machine operated with an improperly sized, worn or damaged hose, improper or inattention to preventative maintenance, etc.)
5. The product has been subjected to misuse, negligence or accident or results of any application or use of the blowing equipment not in accordance with the Company recommendations.

This limited warranty does not cover the free replacement of component parts that become inoperative due to wear and usage and need to be replaced on a regular basis, including but not limited to: airlock seal(s), agitator(s), shredder(s), auger(s), fuse(s), switch(es), clutch(es), hose(s), shaft seal(s), chain(s), belt(s), sprocket(s), pulley(s), bearing(s), cable(s), battery(ies), filter(s), fan(s), etc.

The Company's obligation under this warranty is limited to repairing or replacing (at Company option) any part that is determined by the Company to be suffering from a manufacturing defect. The Company (at Company option) will provide any required parts and labor to the Buyer. If the equipment or parts must be returned to the Company for repair, all transportation costs shall be the Buyer's responsibility.

**THIS LIMITED WARRANTY IS EXPRESSLY IN LIEU OF ANY OTHER GUARANTEES AND / OR WARRANTIES, ORAL OR WRITTEN, EXPRESSED OR IMPLIED, INCLUDING WITHOUT LIMITATION, THE IMPLIED WARRANTY OF MERCHANTABILITY. NO WARRANTY, EXPRESS OR IMPLIED, OTHER THAN THE AFORESAID WARRANTY IS MADE OR AUTHORIZED BY COMPANY. COMPANY SHALL NOT BE LIABLE FOR ANY DIRECT, INDIRECT, INCIDENTAL OR CONSEQUENTIAL DAMAGES TO PROPERTY OR INJURY TO ANY PERSON OR COSTS ASSOCIATED WITH LOSS OF PRODUCTION RESULTING IN LOSS OF REVENUE, PROFITS OR LOSS OF EQUIPMENT THROUGH THE USE OF THIS EQUIPMENT.**

**Note: Special job circumstances incurring costs for specialized repair and next day delivery of parts will not be reimbursed by the manufacturer unless authorized by factory.**

**RETURNED GOODS PROCEDURE:**

IF MACHINE WAS NOT PURCHASED DIRECTLY FROM KRENDL MACHINE COMPANY, CONTACT YOUR SUPPLIER / DISTRIBUTOR.

When returning products to Krendl for repair, first obtain a return goods authorization, at which time you will be given shipping instructions. The product must be shipped **PREPAID**:

**Krendl Machine Company**  
1201 Spencerville Rd  
Delphos, Ohio 45833 U.S.A.

Telephone: 800-459-2069  
Fax: 419-695-9301  
E-mail: [krendl@krendlmachine.com](mailto:krendl@krendlmachine.com)  
Web Site: [www.krendlmachine.com](http://www.krendlmachine.com)

Once the unit is received, it will be inspected. In-warranty units will be repaired and returned immediately. An estimate of repair charges will be provided for out-of-warranty units.

**SPECIFICATIONS**

**MODEL#:** FG425 (Double Input)  
**HEIGHT:** 44"  
**WIDTH (DEPTH):** 25"  
**LENGTH:** 36"  
**WEIGHT:** 220 pounds  
**ELECTRICAL:** 120VAC, 15 amp, D.I.  
**BLOWER VOLUME:** 140 CFM  
**BLOWER PRESSURE:** 4.5 PSI maximum  
**HOSE OUTPUT:** 2.5" diameter

**MAXIMUM FEED RATES:**  
FIBERGLASS: 480 lbs./hr.

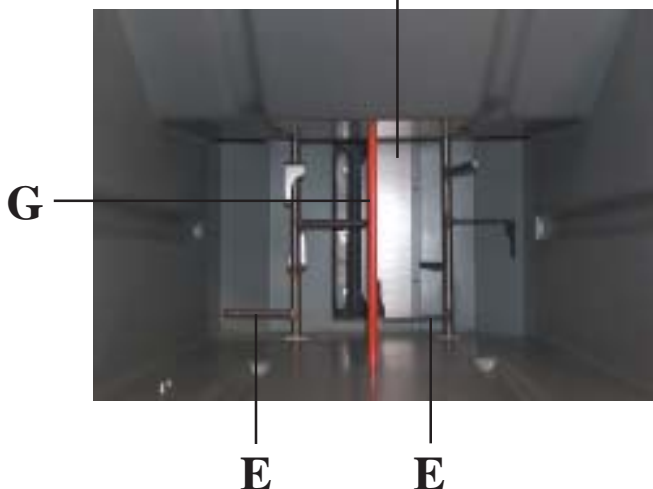
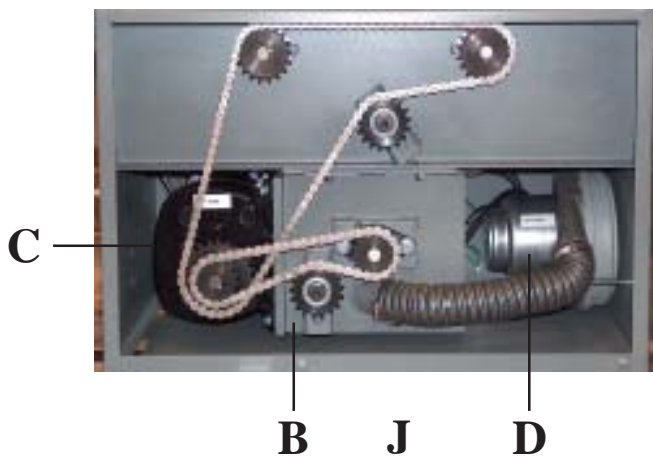
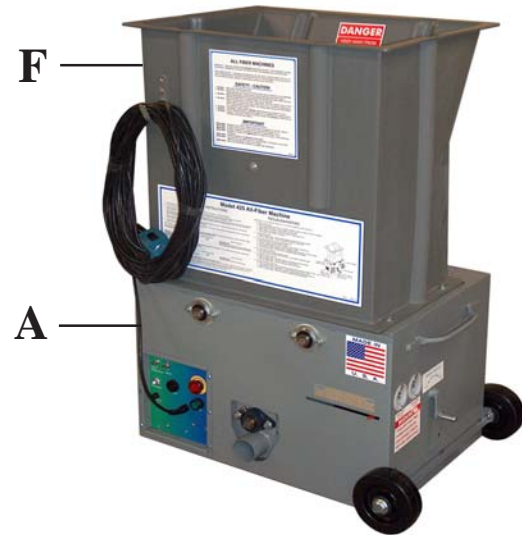
**WARNING:** Recommended hose size, type and length must be used to achieve maximum results. Krendl cannot guarantee performance of the machine if hoses are undersized, worn, damaged, or hoses other than those we recommend are used.

**BEFORE YOU RUN THIS MACHINE...PLEASE READ THE REST OF THIS MANUAL!!**

**BASIC COMPONENTS**

This is a view of the basic components of your #425 machine. It shows the location of each item and gives the function of each. Use this as a guide throughout the manual.

- A) **BASE UNIT** — Lower frame unit supporting blower, gearmotor, airlock and hopper.
- B) **AIRLOCK** — Traps air and fiber while providing a metered flow.
- C) **GEAR MOTOR** — Provides driving power of agitation system. Increases output power while decreasing speed of the agitators and airlock.
- D) **BLOWER** — Creates air pressure to blow insulation out of airlock.
- E) **AGITATORS (2)** — Conditions insulation in the hopper.
- F) **HOPPER** — Upper unit of machine holding insulation.
- G) **HOPPER BAR** — Hinders operators from reaching agitators.
- H) **MAIN CONTROL PANEL** — Connects with main power, allowing operation of unit at machine.
- I) **EMERGENCY STOP BUTTON** — Safety device for immediate stopping of machine. (Located on electrical box)
- J) **SLIDEGATE** — Meters the amount of insulation dropping into airlock by controlling size of airlock opening



## OPERATING INSTRUCTIONS

1. Read all safety and operating instructions before operating this unit.
2. This unit comes ready for connection with hose, clamps, and power cords, and accessories.
3. This unit provides a direct hook-up to 2 1/2" I.D. hose. Slide hose on blower outlet and secure with a hose clamp to provide safe working conditions. All hose connections should have hose clamps to prevent air leakage and separation of hose.
4. This unit can be supplied with power through (2) **INPUT CORDS** that connect to (2) individual breakers or power supplies. **WHEN USING EXTENSION CORDS, WIRE GAUGE SIZE SHOULD BE AT LEAST #12-3 AND NOT EXCEED 50' IN LENGTH OR #10-3 AND NOT EXCEED 100' IN LENGTH. (SEE VOLTAGE DROP CHART BELOW.)**

VOLTAGE DROP CHART									
Typical voltage drop values based on conductor size and one-way length* (60 C termination and insulation)									
25 FEET									
		12 AWG	10 AWG	8 AWG	6 AWG	4 AWG	3 AWG	2 AWG	1 AWG
AMPERES	20	1.98	1.24	0.78	0.49	0.31	0.25	0.19	0.15
	30		1.86	1.17	0.74	0.46	0.37	0.29	0.23
	40			1.56	0.98	0.62	0.49	0.39	0.31
	50				1.23	0.77	0.61	0.49	0.39
	60					0.93	0.74	0.58	0.46
50 FEET									
		12 AWG	10 AWG	8 AWG	6 AWG	4 AWG	3 AWG	2 AWG	1 AWG
AMPERES	20	3.95	2.49	1.56	0.98	0.62	0.49	0.39	0.31
	30		3.73	2.34	1.47	0.93	0.74	0.58	0.46
	40			3.13	1.97	1.24	0.98	0.78	0.62
	50				2.46	1.55	1.23	0.97	0.77
	60					1.85	1.47	1.17	0.92
75 FEET									
		12 AWG	10 AWG	8 AWG	6 AWG	4 AWG	3 AWG	2 AWG	1 AWG
AMPERES	20	5.93	3.73	2.34	1.47	0.93	0.74	0.58	0.46
	30		5.59	3.52	2.21	1.39	1.1	0.87	0.69
	40			4.69	2.95	1.85	1.47	1.17	0.92
	50				3.69	2.32	1.84	1.46	1.16
	60					2.78	2.21	1.75	1.39
100 FEET									
		12 AWG	10 AWG	8 AWG	6 AWG	4 AWG	3 AWG	2 AWG	1 AWG
AMPERES	20	7.90	4.97	3.13	1.97	1.24	0.98	0.78	0.62
	30		7.46	4.69	2.95	1.85	1.47	1.17	0.92
	40			6.25	3.93	2.47	1.96	1.56	1.23
	50				4.92	3.09	2.45	1.94	1.54
	60					3.71	2.94	2.33	1.85
125 FEET									
		12 AWG	10 AWG	8 AWG	6 AWG	4 AWG	3 AWG	2 AWG	1 AWG
AMPERES	20	9.88	6.21	3.91	2.46	1.55	1.23	0.97	0.77
	30		9.32	5.86	3.69	2.32	1.84	1.46	1.16
	40			7.81	4.92	3.09	2.45	1.94	1.54
	50				6.15	3.86	3.06	2.43	1.93
	60					4.64	3.68	2.92	2.31
150 FEET									
		12 AWG	10 AWG	8 AWG	6 AWG	4 AWG	3 AWG	2 AWG	1 AWG
AMPERES	20	11.85	7.46	4.69	2.95	1.85	1.47	1.17	0.92
	30		11.18	7.03	4.42	2.78	2.21	1.75	1.39
	40			9.38	5.90	3.71	2.94	2.33	1.85
	50				7.37	4.64	3.68	2.92	2.31
	60					5.56	4.41	3.50	2.77

Ex: A two-wire 20-ampere circuit using 12 AWG with a one-way distance of 25 feet will drop 1.98 volts;  
 120 volts - 1.98 volts = 118.02 volts as the load voltage.  
 240 volts - 1.98 volts = 238.02 volts as the load voltage.

## Operating Instruction (cont.)

5. When assembling unit, make sure all controls are in **OFF** position. Hook up electrical supply. **Caution:** Operating unit with less than required voltage, more than required voltage, or inadequate generator size will result in damage to electrical components. This machine is marked on the side of the machine with the correct input voltage required. **Note:** Agitator motor and blower should only be operated with steady or constant flow of electricity between 110-120 volts. **Do not** operate machine with less than or more than required voltage. Damage to motors and other electrical parts will result, voiding warranty.

Follow instructions below for machines with remote control (**SECTION A**) or without remote (**SECTION B**). **NOTE:** Input cords must be supplied with power from two separate sources for the unit to work properly.

6. This machine is equipped with an emergency stop button for your safety. This button must be pulled out and the start button must be pressed for the machine to start.
7. This machine is equipped with a limit switch that does not allow the machine to run without the hopper attached to the machine. The hopper must be on and tightly secured for machine to operate.

### **SECTION A** (with remote control)

This unit has a separate electrical panel that has a three position switch as follows: (**NOTE:** This panel will be referred to as the **CONTROL PANEL** and the toggle switch at the end of the remote cord as the **REMOTE CONTROL SWITCH**.)

#### **LEFT POSITION** **REMOTE**

Automatic side of switch which operates the **BLOWER MOTOR** on with **AGITATOR MOTOR** with the remote control switch. (Most frequently used.)

#### **CENTER POSITION** **OFF**

#### **RIGHT POSITION** **BLOWER ON**

Manual side which operates the **BLOWER MOTOR** continuously while operating the **AGITATOR MOTOR** with remote control switch.

A Manual Operation Switch is located on the right side of control panel. Flip switch to **ON** position to run machine without Remote Control Switch. **NOTE:** Units with variable blower control turn to on position.

### **SECTION B** (without remote control)

#### **LEFT POSITION** **MANUAL**

Operates the **BLOWER MOTOR** on with **AGITATOR MOTOR**

#### **CENTER POSITION** **OFF**

#### **RIGHT POSITION** **BLOWER ON**

Manual side operates the **BLOWER MOTOR** continuously.

8. The first bag of insulation in the hopper should be well broken by hand to assist agitator action. **Note:** Hopper bars **MUST** be in place while loading hopper. **Caution: NEVER** put hands below bars or force-feed material by pushing down on insulation.
9. Fill hopper with insulation and adjust **SLIDEGATE**. Open **SLIDEGATE** to allow insulation to drop into the airlock providing good production, but not beyond point where hose plugs. As hose length is increased, the **SLIDEGATE** should be closed proportionally.
10. At the end of the workday, empty the hopper and **BLOW OUT THE HOSE** with the machine.



## GENERAL MAINTENANCE

Periodic preventive maintenance will add years of life to your equipment. Reviewing the information in this manual will go a long way in reducing downtime. **Remove hopper** for easy maintenance of lower base unit.

**! KEEP CLEAN:** During operation, keep material from accumulating on Blower Filter. Always keep Filter in place while operating machine. After each use, remove insulation from hopper and blow out hose. **Caution:** Be sure to unplug machine before servicing.

### AIRLOCK:

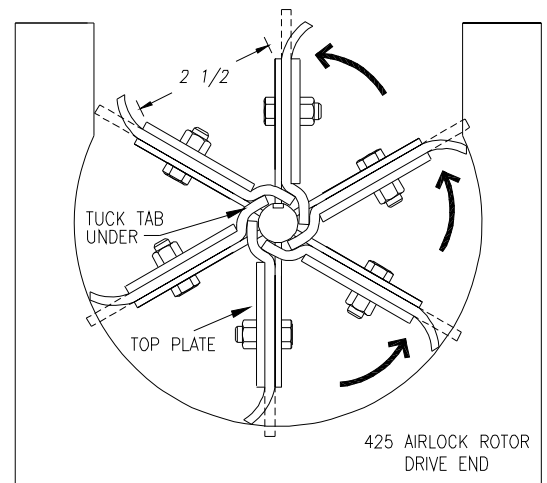
**SEAL REPLACEMENT:** The purpose of the airlock seal is to trap air and insulation until it rotates 180° to the 6:00 o'clock position. At this point, insulation is pushed by air from the blower, out of the chamber. Worn or damaged seals allow air and insulation to escape back into hopper, thus reducing production and coverage. When it is necessary to replace seals, follow these directions:

Remove hopper from base unit. Check airlock rotor plates for damage (bent). If damaged (bent) the entire airlock will need replaced. (Refer to Airlock Replacement below.) Take out rubber seal by removing the three plate fastening bolts and top plate. Install new seal. Seal should be inserted tight against the rotor plate, pressing the lower tabs of seal down under the rotor plate, pressing the lower tabs of seal down under the adjacent seal with a flat blade screwdriver. (See Illustration A) Before tightening bolts make sure all bolt holes are aligned while each side of seal is equally pressed against the end plates. Seal should be bent backwards for **counterclockwise** rotation.

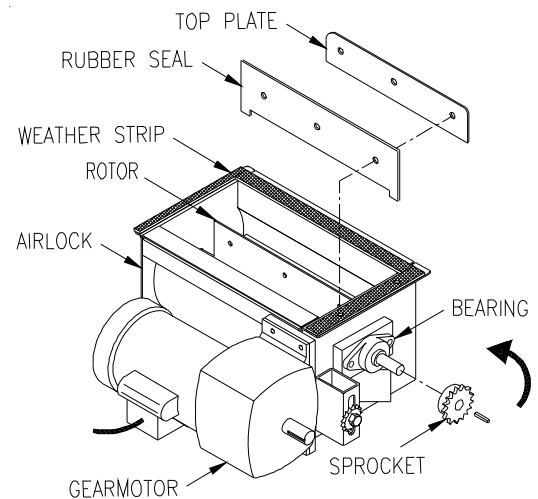
### AIRLOCK REPLACEMENT:

1. Remove the chain guard, chain, and hose from airlock.
2. Lay machine down and remove bottom guard and two bolts that secure airlock to machine. Take note of electrical connections and unhook gearmotor drive wires.
3. Remove airlock from machine.
4. Remove top plate and seal from rotor. Check seal and top plate for wear and/or damage. (See Illustration B)
5. Remove gear motor and bearings from old airlock.
6. Install gearmotor and bearings on new airlock. Tighten set screws on locking collar of bearings. (See Illustration B)
7. Install seal and top plate. As seal and top plate are installed, press bottom tab of seal under adjacent seal with flat blade screwdriver. (See Illustration A)
8. Install weather stripping on top outer edge of airlock. (See Illustration B)
9. Place airlock back into machine and reattach with bolts. Reinstall chain and sprocket.

**NOTE:** When inserting airlock back into machine, make sure back lip of airlock slides into airlock track then fasten bolts. Also, make sure slidegate is in slidegate track.



**Illustration A**



**Illustration B**

## General Maintenance (cont.)

Make sure seal and top plate are assembled on **correct** side of rotor plate before assembling in airlock. Seal should press backward towards top plate when installed correctly into airlock chamber. The airlock runs **counterclockwise** viewing it from the sprocket drive shaft. (See Illustration A)



**Caution:** If installed improperly, damage to seals will result and put undue stress on agitator motor. This causes overheating and poor production. Seal should be bent backward to allow for a **counterclockwise** rotation of rotor.

### **CHAIN:** (#40 Nickel Plated)

**ADJUSTMENT:** A smooth operating chain drive should have a slight sag on the idler side of the chain. New chains should be installed under slight tension as they will elongate a small amount due to seating of pins and bushings during the first few days of operation. Excessive chain tension or loose chain will cause shortened life of bearings, chain, and sprocket. Chain should be kept in good condition by proper lubrication (dry film lubricant Dow 321) and occasional cleaning. Soaking chain in container of 10 weight oil will provide for internal lubrication of pins and bushings. However, excess oil must be drained and wiped away as excessive lubrication will cause insulation accumulation on chain. Worn out chain should be replaced. When chain is replaced, worn sprockets should also be replaced, preventing further damage to new chain.

### **SPROCKETS:**

**CHECK SPROCKETS FOR WEAR.** Misalignment and/or loose sprockets and improper chain tension causes the premature wear of chain and sprockets. All sprockets, except the idler sprocket, have been secured with a medium grade Loctite (general purpose thread locker), to prevent gradual movement. The set screws and key are also inserted with a medium grade Loctite. If sprocket is difficult to remove, it may be heated with a propane torch to loosen.



**Caution:** Do not overheat sprocket or damage to bearing will result. A pulley or bearing puller can then be used to remove the sprocket and key. Replace new sprocket on shaft with key and medium grade Loctite applied to shaft. Align sprocket with corresponding sprocket, using a straightedge placed along face of teeth and tighten set screw. Gearmotor sprocket does **not** require Loctite.

### **BEARINGS:**

**AGITATOR BEARINGS** in base unit are prelubricated, double-sealed, self aligning ball bearings. **No** lubrication is necessary. If bearings produce noise or heat (*too-hot-to-touch*), replace the bearings.

**AGITATOR BEARING REPLACEMENT:** Spray area with rust penetrant (WD-40). Remove sprocket (See SPROCKET section above). Remove the two bolts from bearing flange and outer flange from bearing insert. Loosen set screws on bearing hub at each end of agitator shaft. Since all set screws are installed with a medium grade Loctite, a propane hand torch may be used to assist in removing them. Do not overheat unit, causing shaft to expand. Using a rubber mallet, drive agitator shaft an inch in one direction, creating a space between hopper and bearing unit. A bearing puller can then be used to remove the bearing. Eliminate any metal burrs from shaft with file and install new bearings with felt seals. Use a medium grade Loctite on set screws before securing bearing to shaft.

**AIRLOCK BEARINGS** are prelubricated, double sealed, self aligning ball bearings. Lubrication **is** required at three month intervals of normal running time, or sooner if bearings produce a noise or become *too-hot-to-touch*. Relubrication at the grease fittings is done with a lithium base grease conforming to a NLGI GRADE TWO consistency. The grease should be pumped in slowly until a slight bead forms around the seals. This bead, in addition to acting as an indicator of adequate lubrication, provides additional protection against the entry of foreign matter. **Important:** If a slight bead does **not** form, indicating a failure of lubrication, or if bearing shows signs of wear, replace bearing.



## General Maintenance (cont.)

**AIRLOCK BEARING REPLACEMENT:** Remove two bolts from bearing and follow steps above for agitator bearing replacement.

### GEARMOTOR DRIVE:

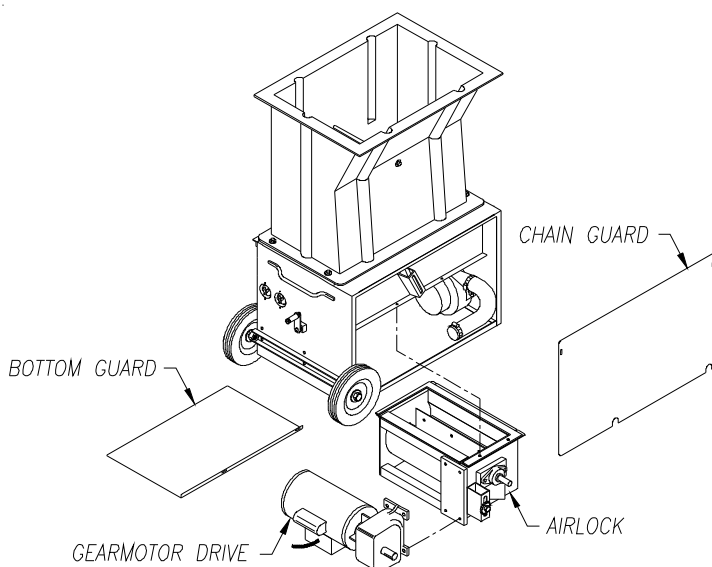
If drive motor runs hot, or unit does not run properly, refer to troubleshooting sections of manual. The drive motor should start quickly and run smoothly. If not, shut motor off **immediately** and check for low voltage, incorrect power supply, or misconnected wiring which could cause motor failure. **These conditions void the motor warranty.** Overload conditions such as bearing failure, sprocket and chain misalignment, or gear failure in the reducer can be detected by checking the electrical current (amperage) compared with nameplate current (amperage) located on the body of the motor.

**GEARMOTOR REPLACEMENT:** (See Illustration C) Disconnect power from machine. Remove chain guard and drive chain. Flip base unit upside down and remove bottom guard. Take note of electrical connections and unhook gearmotor drive wires. Loosen hose clamp on rear airlock input tube. Slide hose off airlock. Remove airlock and gearmotor drive assembly out of base. Loosen set screw and take sprocket off gearmotor. Unbolt gearmotor drive from airlock. Install new gearmotor drive on airlock. Reverse procedure for assembly.

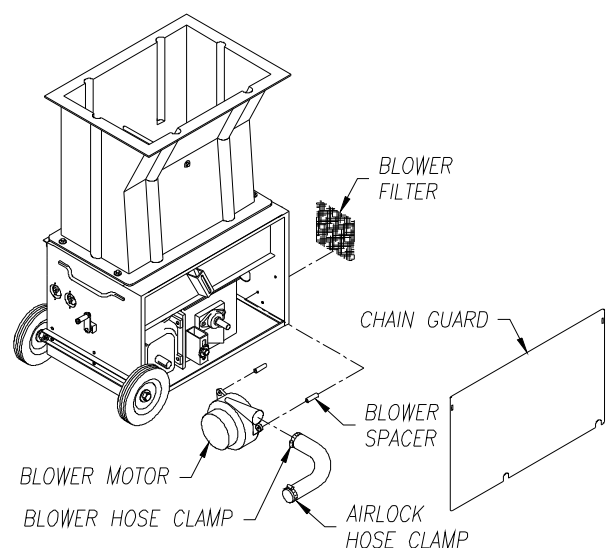
### BLOWER MOTOR:

Periodically turn machine on its side and vacuum any material that has accumulated around blower motor. Blow out any remaining debris around motor and intake orifice of fan with compressed air. This will extend the life of the blower significantly. Blower filter life can be extended by occasional removing and blowing through with compressed air. Filter should be replaced periodically depending on use. If blower produces noise or heat, refer to troubleshooting section of manual.

**BLOWER REPLACEMENT:** (See Illustration D) Disconnect power from machine. Remove chain guard. Loosen hose clamp on blower and slide hose off blower. Take note of electrical connections on blower and unhook blower wires. Remove three bolts and spacers from machine and remove blower. Reverse procedure for assembly.



**Illustration C**

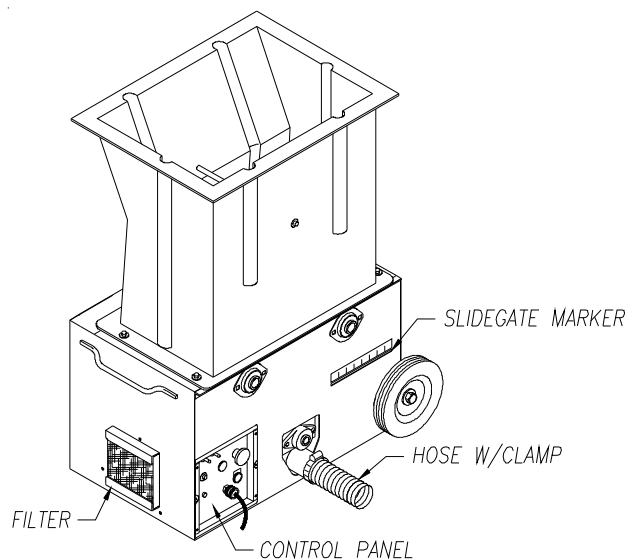


**Illustration D**

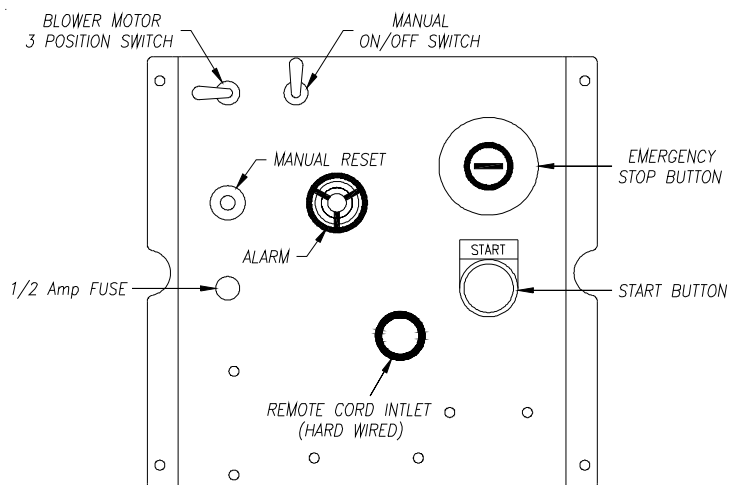
# TROUBLESHOOTING

**IMPORTANT: DO NOT** attempt to service unit. (Contact your dealer for further information.)

1. If machine does not run:
  - a. Make sure emergency stop button on **CONTROL PANEL** is pulled out and start button is pressed.
  - b. Check manual reset button on circuit breaker. Press to reset. (See Illustration F)
  - c. Check **REMOTE CONTROL CORD** for broken connections.
  - d. Switch blower motor toggle on **CONTROL PANEL** to right position, **ON**. (See Illustration F)
  - e. Check power cords for proper connection.
  - f. Make sure hopper is depressing limit switch and secured tightly on base.
  
2. Loud knocking sound:
  - a. **UNPLUG** power supply. Check machine agitators and airlock for foreign objects.
  - b. **UNPLUG** power supply. Check for misaligned sprockets or loose chain.
  
3. Poor output from machine or uneven flow through hose:
  - a. Open **SLIDEGATE**.
  - b. Units with variable speed **BLOWER CONTROL**, turn **BLOWER CONTROL** up.
  - c. **UNPLUG** power supply. Check for material bridging in hopper.
  - d. Low voltage, try another electrical source. Proper wire size for extension cord (#12-3 wire) for 50' or (#10-3 wire) for 100'.
  - e. **UNPLUG** power supply. Check for worn or damaged rubber airlock seals.
  
4. Too much dust on open blow:
  - a. Open **SLIDEGATE**.
  - b. Units with variable speed **BLOWER CONTROL**, turn **BLOWER CONTROL** down.
  
5. **BLOWER MOTOR** running hot:
  - a. **UNPLUG** power supply. Clean filter. Blow out surrounding area with air hose. (See Illustration E)
  - b. **UNPLUG** power supply. Check for restriction in blowing hose.
  - c. **UNPLUG** power supply. Check for buildup of insulation around blower.
  
6. **AGITATOR MOTOR** running hot:
  - a. **UNPLUG** power supply. Check for insulation buildup around motor and blow out with air hose.
  - b. Low voltage can cause this condition. Try another electrical source (#12-3 wire).
  - c. **UNPLUG** power supply. Debris jamming airlock. Rotate airlock manually and clean out.
  - d. **UNPLUG** power supply. Check for sprocket misalignment and bearing wear.



**Illustration E**

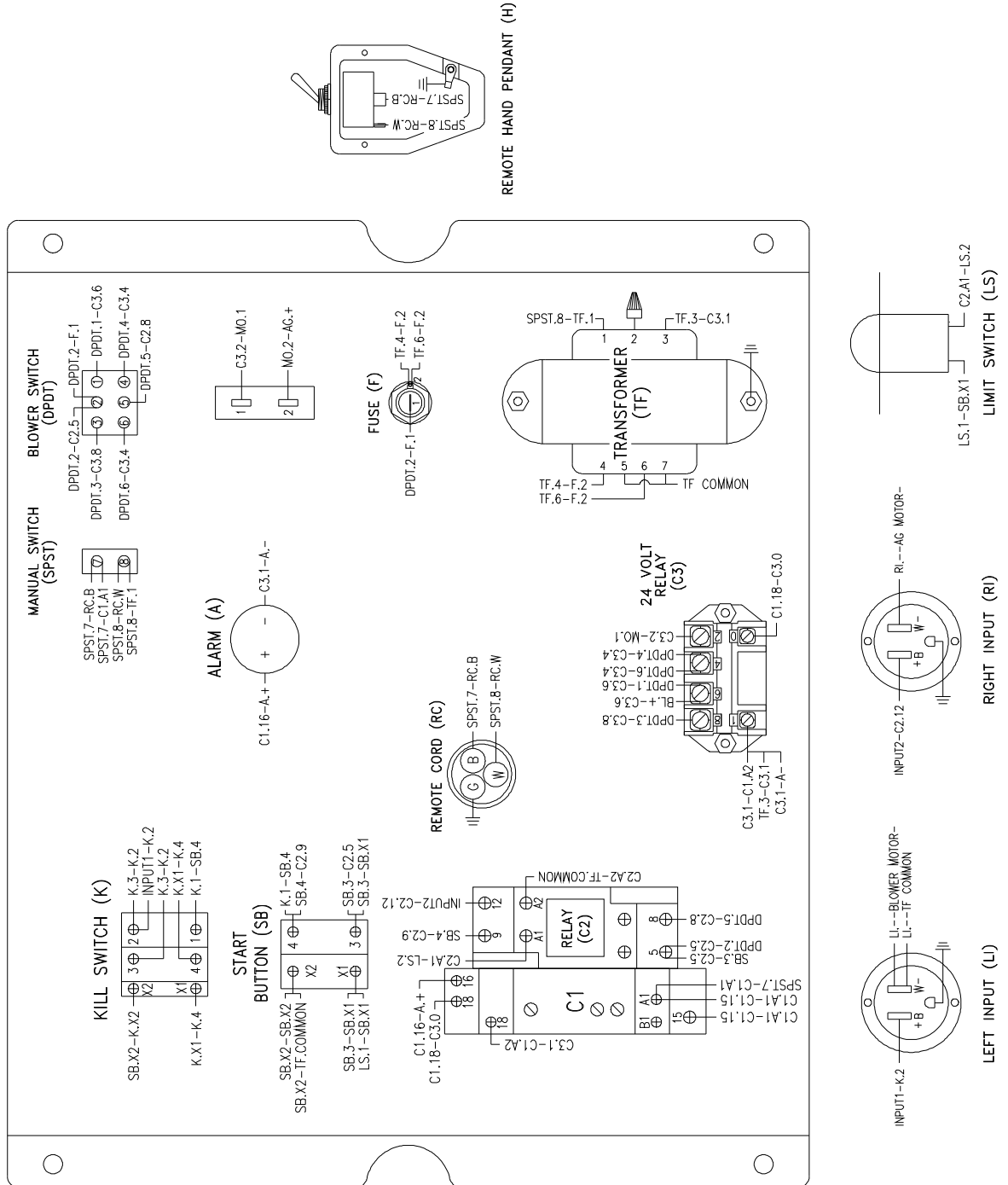


**Illustration F**

ELECTRICAL

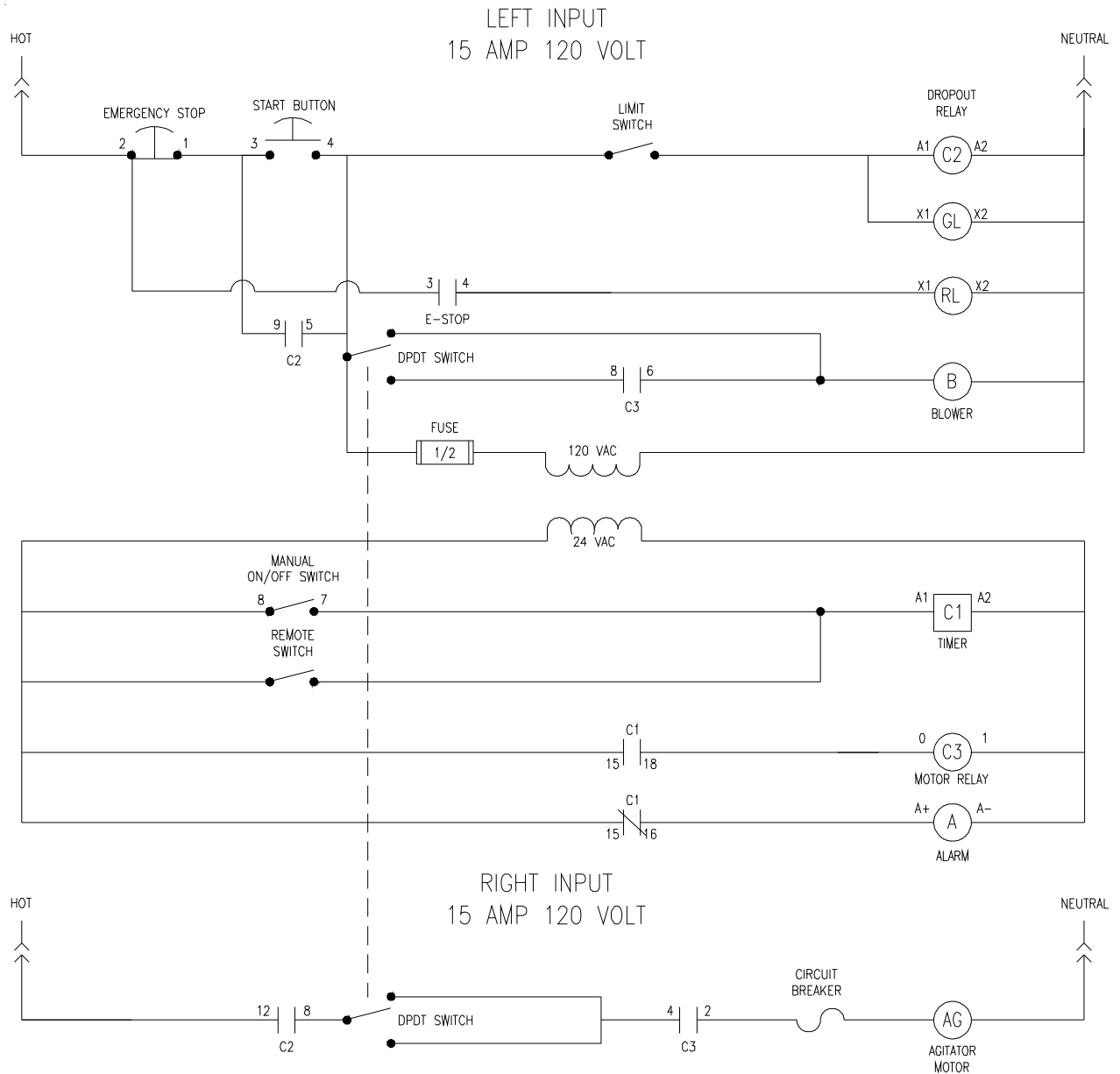
**ELECTRICAL DIAGRAM:** Periodically, disconnect machine from power source and check all electrical connections and components for broken or loose wires.

**MODEL #FG425  
120 V.A.C. 60 Hz Double Input  
Hardwired W/O Blower Control**



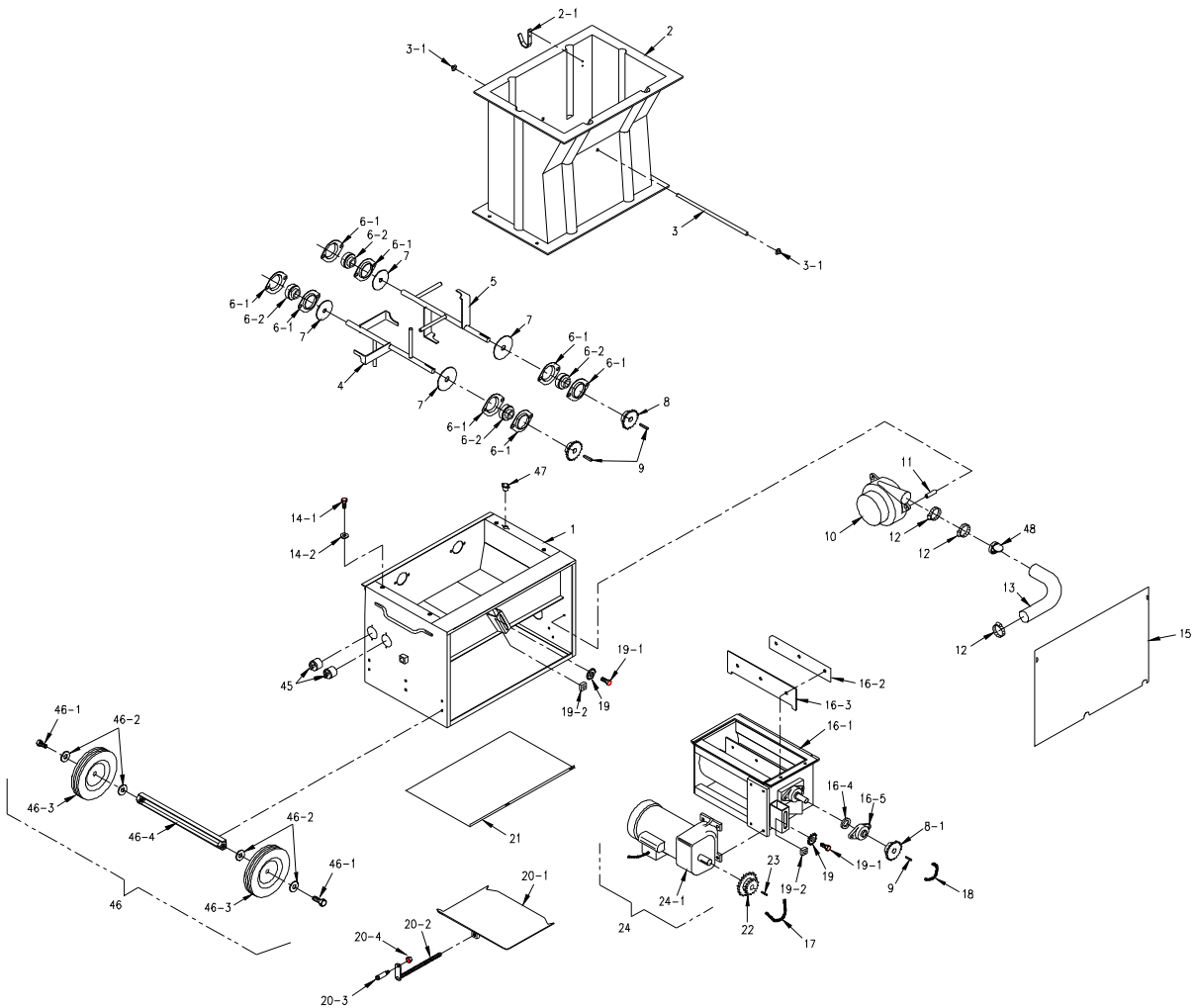
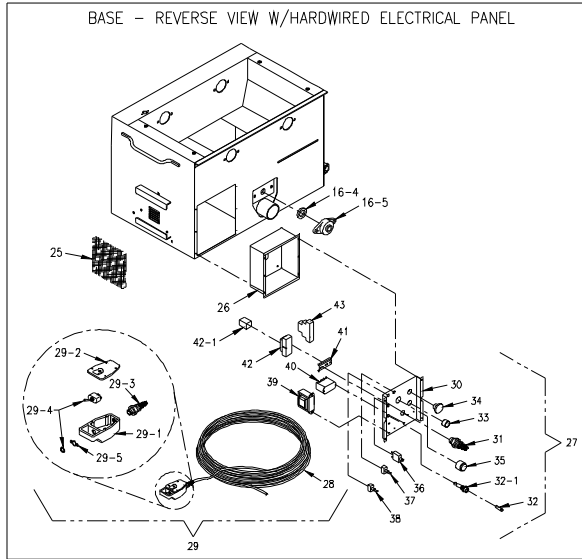
**LADDER DIAGRAM**

**SINGLE BLOWER CONTROL PANEL  
120 VOLT 60 HZ DOUBLE INPUT  
W/O BLOWER CONTROL**



**EXPLODED PARTS**

**#FG425 Machine**



**#FG425 PARTS LIST**

<b>Item #</b>	<b>Part #</b>	<b>Description</b>
1	4251-G	Base
2	4252-G	Hopper, Plastic
2-1	42569	Cord Hanger
3	4252-05	13 1/2" Hopper bar
3-1	FN009	Pushnut 1/2" (2)
4	42541-K1	Agitator, Knife (Left)
5	42541-K2	Agitator, Knife (Right)
6-1	1507	Housing, flange, 2-bolt 3/4" stamped (8)
6-2	107-1	Bearing, 3/4" bore (4) insert only
7	1506	Seal, felt 3/4" bore (4)
8	428	#40 Sprocket, 18T x 3/4" (2)
8-1	4511	#40 Sprocket, 15T x 3/4"
9	448	Key, 3/16" x 3/16" x 7/8" (3)
10	408-G	Blower motor, 14 amp, 2-stage
11	409-F	Spacer, blower 2 3/16", 14 amp blower (3) (only 1 shown)
12	337	Clamp, 2", hose (3)
13	42518	Vent hose, 17" long
14-1	FSB037	SB 5/16-18 x 7/8" HMS (4)
14-2	FW007	Flat Washer, 5/16" (4)
15	4253-R3	Guard, Chain
16-1	42526-R1	Airlock Chamber w/Rotor
16-2	4512-2	Plate, top airlock (6)
16-3	4512-3	Seal, airlock (6)
16-4	426-7	Seal, felt, 3/4" bolt on bearing (2)
16-5	426-6	Bearing, 2 bolt flange, 3/4" (2)
17	42523	Chain, #40 x 54", N.P.
18	590	Chain, #40 x 25"
----	199	Master link, #40 (2) (not shown)
19	432	Sprocket, Idler, #40 17T x 5/8" (2)
19-1	FSB120	SB 5/8" x 3/4" Shoulder Bolt (2)
19-2	40052	Nut, 1" x 1/2" (1/2-13), plated (2)
20-1	4258-R1	Slidegate
20-2	4256-A	Crankrod and bracket
20-3	4507	Handle f/crankrod
20-4	FN015	Lock Nut, 3/8"-16
21	4259-R2	Guard, bottom
22	1024	#40, Sprocket, 15T x 24T x 3/4"
23	1556	Key, 3/16" x 3/16" x 1 1/4"
24	42517-5A	Motor & Cord Assy, 1/2HP, 120V 60Hz
24-1	42517-5	Gearmotor, 1/2HP, 60Hz
25	42562	Filter, blower 6 1/4" x 6 1/4"
26	4251-32-33	Electrical Box
----	PC-062	Urethane Foam 2" X 8" X 8" (Not Shown)
27	425-H-M-FG	Electrical panel assy, hardwired, DI, 120V
28	18-3 SJ	Cord, #18-3 (SJ), 100 ft.
29	RC395-A	RC cord assy, 100', SPST (Hardwired)

**#FG425 PARTS LIST**

<b>Item #</b>	<b>Part #</b>	<b>Description</b>
29-1	RC395-1	Switch Housing
29-2	RC395-2	Switch Back Plate
29-3	RC395-3	Strain Relief
29-4	1536-3	Switch, Toggle / SPST
29-5	1536-8	On/Off plate
29-6	RC395-4	8-16 Plastite Screw (4) (Not Shown)
30	42565-FG	Electrical Panel W/O Blower Control (Hardwired)
31	1536-4	3/8" Cord Restraint (Hardwired)
32	1533-A	Fuse, 1/2 amp
32-1	1532	Holder, fuse, glass
33	543-M-14	Pushbutton On, Green
34	543-M-46	Switch, Kill, Red
34-1	8075-1	Contact, Kill Switch (Not Shown)
34-2	8075-2	Contact Block 22mm Green (Not Shown)
35	543-M-38	Pre-Alarm System
36	433-D	Manual Reset, 10 amp, 110V
37	1536-3	Switch, SPST
38	109066-9	Switch, DPDT
39	1530-C	Transformer, 1 amp
40	ELU10-11	Contact/Relay, 24V Control
41	ELU07-F	1 3/8" Dinrail, 2 3/4" Long
42	ELU09-4	Socket, 8 Pin Relay
42-1	ELU09-5	Relay, DPDT 120V
42-2	ELU09-6	Clip, Hold Down, Relay (Not Shown)
43	RELAY-10	Timer / Relay DPDT 12-240VAC 15A
43-1	151080-49	Clamp, 1 3/8" Dinrail (Not Shown) (2)
44	834	1" Cord clamp (Not Shown)
45	42528	5-15P plug, recessed, input (2)
46	FGW-6-STD	Wheel package, standard, 6"
46-1	FSB071	Bolt, 5/8-11 x 3 (2)
46-2	FW018	Washer, 9/16, flat washer, (4)
46-3	42520	Wheel, 6" (2)
46-4	FG4251-09-R1/FN022	Wheel Bracket, 6"
47	LS010	Limit Switch
48	CV101	Check Valve, 2"



## GLOSSARY

<b>BRIDGING</b>	Tendency of insulation to cling in the hopper forming an air pocket above the airlock. This hinders the normal feeding process of the machine.
<b>CFM</b>	(Cubic feet per minute). A measurement of volume or <b>quantity</b> of air flowing at a certain rate, or air moving capability, of a blower. It is the volume of air moved per minute. Higher volume provides increased coverage and velocity of insulation as it leaves the hose.
<b>COVERAGE</b>	Refers to the amount of insulation coverage, usually measured in square feet, according to the R-value desired. This information is given on the insulation package.
<b>PSI</b>	(Pounds of pressure per square inch). The <b>force</b> exerted on a surface by air/liquid. High-pressure blowers push the insulation through the hose. Higher pressure provides less hose plugging and increased compaction in side wall.
<b>PRODUCTION RATE</b>	Pounds of insulation blown per hour.
<b>RPM</b>	(Revolutions per minute). Speed at which the shaft of a rotating device (i.e. blower fan, agitator) is moving.
<b>R-VALUE</b>	Resistance value. A precise measurement of the insulation's resistance to heat transfer. The higher the resistance value, the slower the heat will transfer through the insulating material.
<b>SETTLED DENSITY</b>	The point at which the insulation will not continue to settle further. Any insulation blown will have a certain amount of progressive settling that occurs after a period of time. Following the insulation manufacturers recommendations for bag rate coverage will provide useful information to accommodate for settling.
<b>SETTLING</b>	Compression or compaction of insulation fibers caused by the weight of the material, vibration of structure, temperature, and humidity cycles.

**SERVICE RECORD**

DATE	MAINTENANCE PERFORMED	COMPONENTS REQUIRED



## **60 YEARS OF AMERICAN INGENUITY**

**Made in the U.S.A.**

**KRENDL MACHINE COMPANY • 1201 SPENCERVILLE RD  
DELPHOS, OHIO 45833 • TELEPHONE 800-459-2069 • FAX 419-695-9301  
E - MAIL: [krendl@krendlmachine.com](mailto:krendl@krendlmachine.com) • WEB SITE: [www.krendlmachine.com](http://www.krendlmachine.com)**