

**ANY JOB.
ANY SIZE.
ANY PLACE.**

60 Years of American Ingenuity

KD1 and KD3

The **KD1 & KD3** dense pack nozzles are designed to increase productivity in drill and fill applications, while maintaining proper material densities.

- Engineered for cellulose & fiberglass blowing insulation
- Light weight aluminum design
- Ergonomic swivel head rotates 360 degrees for complete fill
- Durable powder coat finish
- Filter bag with easy clean out

KD1 Nozzle



KD3 Nozzle



KD1 SPECIFICATIONS

WEIGHT: 7 LBS
 LENGTH: 11 5/16"
 HOSE CONNECTION: 2 1/2" DIAMETER
 WALL HOLE SIZE: 2 1/2" DIAMETER

KD3 SPECIFICATIONS

WEIGHT: 10 LBS
 LENGTH: 13 5/16"
 HOSE CONNECTION: 2 1/2" DIAMETER
 WALL HOLE SIZE: 3" DIAMETER

KD3 is intended for 2" x 6" walls & deeper



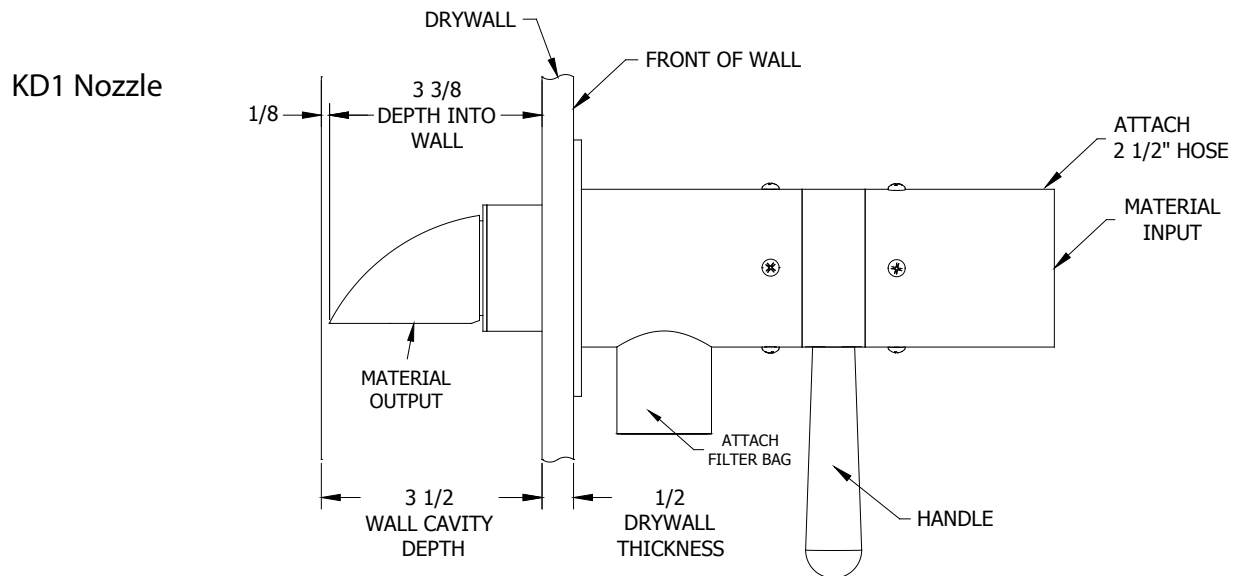


KRENDL

The Innovator in Insulation Equipment™

KD1 and KD3

Scan to learn more about Krendl Machine



KD3 Nozzle

